

Complete Your Investment



ATS Systems : formerly ATS Workholding & SMW Systems

ATS BigMouth

Self Contained Air Chucks

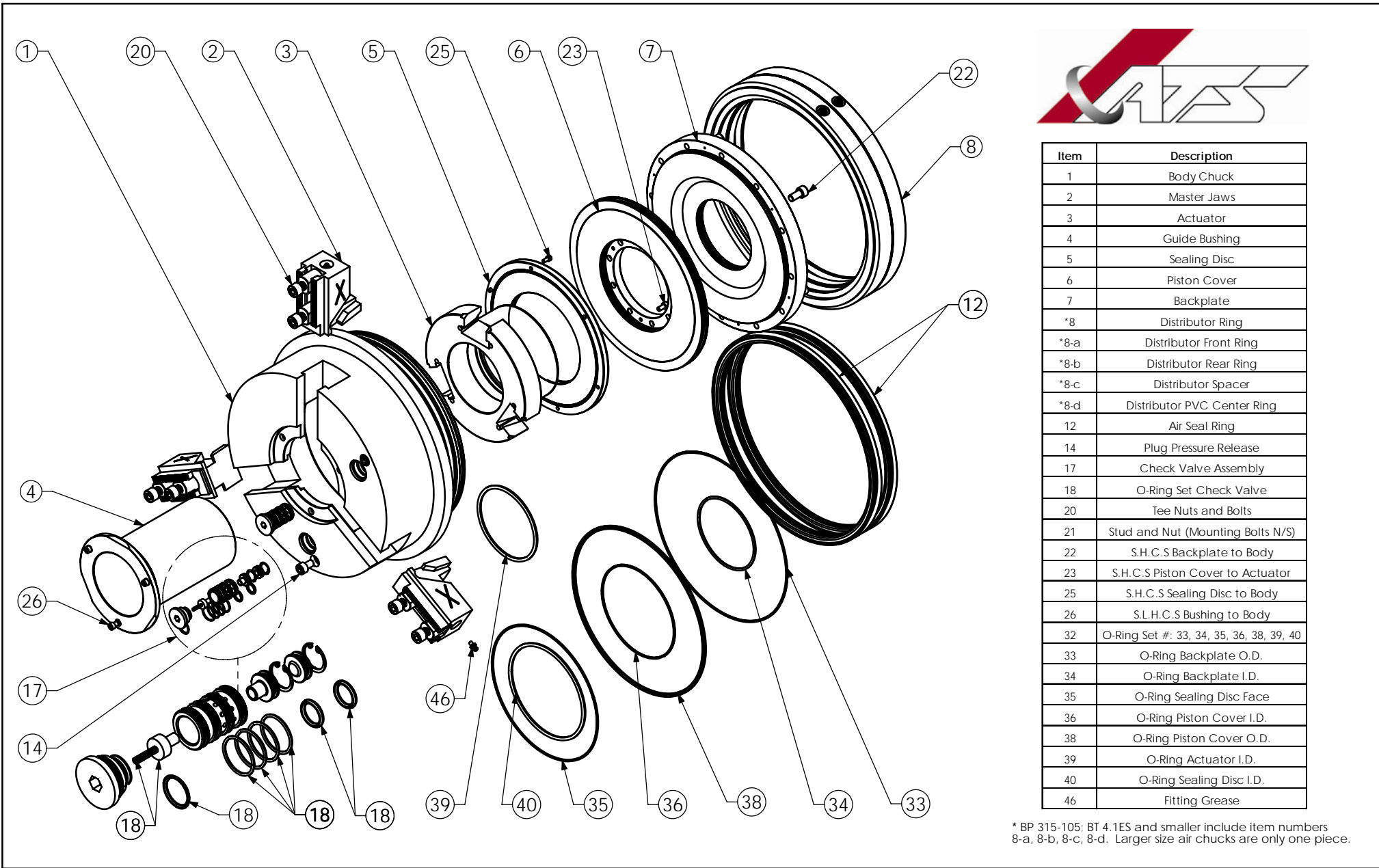
Models BP & BT

Spare Parts List
and Drawings



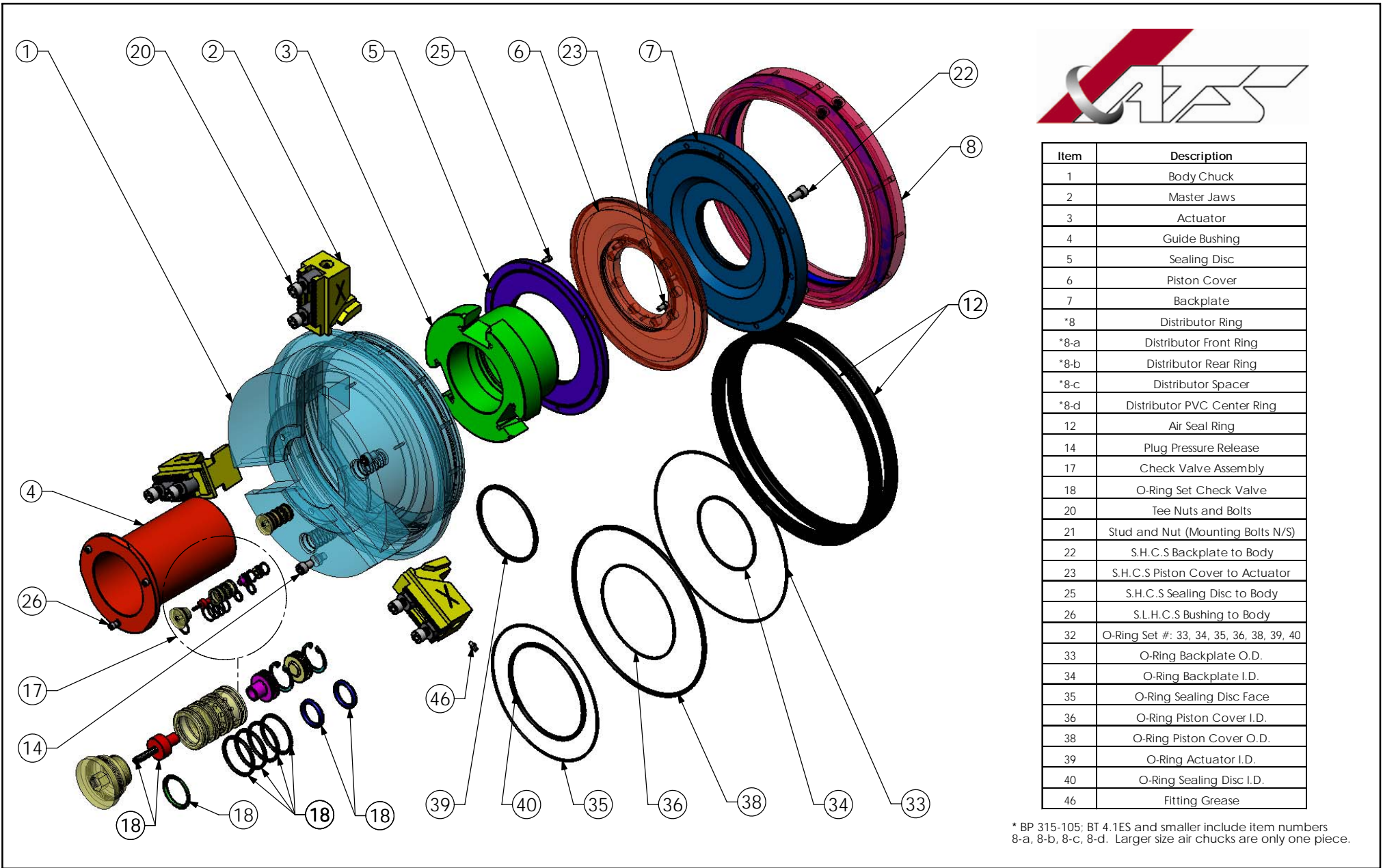
November 1, 2007

30222 Esperanza
RSM, CA 92688
P 800/321.1833
800.423.4651
www.ats-s.com



Item	Description
1	Body Chuck
2	Master Jaws
3	Actuator
4	Guide Bushing
5	Sealing Disc
6	Piston Cover
7	Backplate
*8	Distributor Ring
*8-a	Distributor Front Ring
*8-b	Distributor Rear Ring
*8-c	Distributor Spacer
*8-d	Distributor PVC Center Ring
12	Air Seal Ring
14	Plug Pressure Release
17	Check Valve Assembly
18	O-Ring Set Check Valve
20	Tee Nuts and Bolts
21	Stud and Nut (Mounting Bolts N/S)
22	S.H.C.S Backplate to Body
23	S.H.C.S Piston Cover to Actuator
25	S.H.C.S Sealing Disc to Body
26	S.L.H.C.S Bushing to Body
32	O-Ring Set #: 33, 34, 35, 36, 38, 39, 40
33	O-Ring Backplate O.D.
34	O-Ring Backplate I.D.
35	O-Ring Sealing Disc Face
36	O-Ring Piston Cover I.D.
38	O-Ring Piston Cover O.D.
39	O-Ring Actuator I.D.
40	O-Ring Sealing Disc I.D.
46	Fitting Grease

* BP 315-105; BT 4.1ES and smaller include item numbers 8-a, 8-b, 8-c, 8-d. Larger size air chucks are only one piece.



Item	Description
1	Body Chuck
2	Master Jaws
3	Actuator
4	Guide Bushing
5	Sealing Disc
6	Piston Cover
7	Backplate
*8	Distributor Ring
*8-a	Distributor Front Ring
*8-b	Distributor Rear Ring
*8-c	Distributor Spacer
*8-d	Distributor PVC Center Ring
12	Air Seal Ring
14	Plug Pressure Release
17	Check Valve Assembly
18	O-Ring Set Check Valve
20	Tee Nuts and Bolts
21	Stud and Nut (Mounting Bolts N/S)
22	S.H.C.S Backplate to Body
23	S.H.C.S Piston Cover to Actuator
25	S.H.C.S Sealing Disc to Body
26	S.L.H.C.S Bushing to Body
32	O-Ring Set #: 33, 34, 35, 36, 38, 39, 40
33	O-Ring Backplate O.D.
34	O-Ring Backplate I.D.
35	O-Ring Sealing Disc Face
36	O-Ring Piston Cover I.D.
38	O-Ring Piston Cover O.D.
39	O-Ring Actuator I.D.
40	O-Ring Sealing Disc I.D.
46	Fitting Grease

* BP 315-105; BT 4.1ES and smaller include item numbers 8-a, 8-b, 8-c, 8-d. Larger size air chucks are only one piece.



Model	Size	Through-Hole	ATS Drawing Ref #	ATS Part #	PART DESCRIPTION
BT	4.1	ES	N/A	1230-0316	BT 4.1 ES BIG MOUTH CHUCK
BT	4.1	ES	1	1230-1500	Body Chuck
BT	4.1	ES	2	1230-1230	Master Jaws
BT	4.1	ES	3	1230-1980	Actuator
BT	4.1	ES	4	1230-1860	Guide Bushing
BT	4.1	ES	5	1230-1940	Sealing Disc
BT	4.1	ES	6	1230-1780	Piston Cover
BT	4.1	ES	7	1230-1700	Backplate
BT	4.1	ES	8	1230-1540	Distributor Ring
BT	4.1	ES	12	1112-0525	Air Seal Ring (aka Profile Seals)
BT	4.1	ES	14	1230-0328	Plug Pressure Release
BT	4.1	ES	17	1230-0100	Check valve Assembly
BT	4.1	ES	18	1230-0110	O-Ring Set Check Valve
BT	4.1	ES	20	1113-6335	Tee Nuts and Bolts M16
BT	4.1	ES	21	1230-1580	Stud and Nut (M12)
BT	4.1	ES	22	1230-1660	Soc. Hd Cap Scr. (M8x25) Backplate to Body
BT	4.1	ES	23	1230-1740	Soc. Hd. Cap Scr. (M8 x 25) Piston to Actuator
BT	4.1	ES	25	1230-1900	Soc. Hd. Cap Scr. (M5x16) Sealing Disc to Body
BT	4.1	ES	26	1230-1820	Soc. Low Hd. Cap Scr. (M6 x 16) Bushing to Body
BT	4.1	ES	32	1230-1380	O-Ring Set #33,34,35,36,38,39,40,Except for Check Valve
BT	4.1	ES	46	2200-7019	Fitting Grease (M6x1)
BT	4.1	ES	8-a	Call	Distributor Front Ring
BT	4.1	ES	8-b	Call	Distributor Rear Ring
BT	4.1	ES	8-c	Call	Distributor Spacer
BT	4.1	ES	8-d	Call	Distributor PVC Center Ring
BT	7.3	ES	N/A	1230-0471	BT 7.3 ES AIR CHUCK
BT	7.3	ES	1	1230-1502	Body Chuck
BT	7.3	ES	2	1230-1250	Master Jaws
BT	7.3	ES	3	1230-1982	Actuator
BT	7.3	ES	4	1230-1862	Guide Bushing
BT	7.3	ES	5	1230-1942	Sealing Disc
BT	7.3	ES	6	1230-1782	Piston Cover
BT	7.3	ES	7	1230-1702	Backplate
BT	7.3	ES	8	1230-1542	Distributor Ring
BT	7.3	ES	12	1122-0540	Air Seal Ring (aka Profile Seals)
BT	7.3	ES	14	1230-0328	Plug Pressure Release
BT	7.3	ES	17	1230-0100	Check Valve Assembly
BT	7.3	ES	18	1230-0110	O-Ring Set Check Valve
BT	7.3	ES	20	1123-6345	Tee Nut and Bolt M20
BT	7.3	ES	21	1230-1590	Soc. Hd Cap Scr. M12x200
BT	7.3	ES	22	1230-1662	Soc. Hd. Cap Scr. (M12 x 35) Backplate to Body
BT	7.3	ES	23	1230-1742	Soc. Hd. Cap Scr. (M8x30) Piston to Actuator
BT	7.3	ES	25	1230-1902	Soc. Low Hd. Cap Scr. (M8 x 20) Disc to Body
BT	7.3	ES	26	1230-1822	Soc. Low Hd. Cap Scr. (M8 x 20) Bushing to Body



Model	Size	Through-Hole	ATS Drawing Ref #	ATS Part #	PART DESCRIPTION
BT	7.3	ES	32	1230-1400	O-Ring Set #33,34,35,36,38,39,40, Except for Check Valve
BT	7.3	ES	46	2200-7019	Fitting Grease (M6x1)
BT	10.8	ES	N/A	1230-0501	BT 10.8 ES AIR CHUCK
BT	10.8	ES	1	1230-1504	Body Chuck
BT	10.8	ES	2	1230-1270	Master Jaws
BT	10.8	ES	3	1230-1984	Actuator
BT	10.8	ES	4	1230-1864	Guide Bushing
BT	10.8	ES	5	1230-1944	Sealing Disc
BT	10.8	ES	6	1230-1784	Piston Cover
BT	10.8	ES	7	1230-1704	Backplate
BT	10.8	ES	8	1230-1544	Distributor Ring
BT	10.8	ES	12	1122-0560	Air Seal Ring (aka Profile Seals)
BT	10.8	ES	14	1230-0328	Plug Pressure Release
BT	10.8	ES	17	1230-0100	Check Valve Assembly
BT	10.8	ES	18	1230-0110	O-Ring Set Check Valve
BT	10.8	ES	20	1123-6345	Tee Nut and Bolt M20
BT	10.8	ES	21	1230-1590	Soc. Hd Cap Scr. M12x200
BT	10.8	ES	22	1230-1662	Soc. Hd. Cap Scr. (M12 x 35) Backplate to Body
BT	10.8	ES	23	1230-1744	Soc. Hd. Cap Scr. (M10x30) Piston to Actuator
BT	10.8	ES	25	1230-1902	Soc. Low Hd. Cap Scr. (M8 x 20) Disc to Body
BT	10.8	ES	26	1230-1822	Soc. Low Hd. Cap Scr. (M8 x 20) Bushing to Body
BT	10.8	ES	32	1230-1420	O-Ring Set #33,34,35,36,38,39,40, Except for Check Valve
BT	10.8	ES	46	2200-7019	Fitting Grease (M6x1)
BT	12.8	ES	N/A	1230-0631	BT 12.8 ES AIR CHUCK
BT	12.8	ES	1	1230-1506	Body Chuck
BT	12.8	ES	2	1230-1290	Master Jaws
BT	12.8	ES	3	1230-1986	Actuator
BT	12.8	ES	4	1230-1866	Guide Bushing
BT	12.8	ES	5	1230-1946	Sealing Disc
BT	12.8	ES	6	1230-1786	Piston Cover
BT	12.8	ES	7	1230-1706	Backplate
BT	12.8	ES	8	1230-1546	Distributor Ring
BT	12.8	ES	12	1122-0563	Air Seal Ring (aka Profile Seals)
BT	12.8	ES	14	1230-0328	Plug Pressure Release
BT	12.8	ES	17	1230-0100	Check Valve Assembly
BT	12.8	ES	18	1230-0110	O-Ring Set Check Valve
BT	12.8	ES	20	1123-6370	Tee Nut and Bolt M24
BT	12.8	ES	21	1230-1588	Soc. Hd Cap Scr. M16x230
BT	12.8	ES	22	1230-1662	Soc. Hd. Cap Scr. (M12 x 35) Backplate to Body
BT	12.8	ES	23	1230-1744	Soc. Hd. Cap Scr. (M10x30) Piston to Actuator
BT	12.8	ES	25	1230-1904	Soc. Low Hd. Cap Scr. (M10 x 25) Disc to Body
BT	12.8	ES	26	1230-1824	Soc. Low Hd. Cap Scr. (M8 x 30) Bushing to Body
BT	12.8	ES	32	1230-1440	O-Ring Set #33,34,35,36,38,39,40, Except for Check Valve
BT	12.8	ES	46	2200-7019	Fitting Grease (M6x1)



Model	Size	Through-Hole	ATS Drawing Ref #	ATS Part #	PART DESCRIPTION
BT	14.8	ES	N/A	1230-0735	BT 14.8 ES AIR CHUCK
BT	14.8	ES	1	1230-1508	Body Chuck
BT	14.8	ES	2	1230-1290	Master Jaws
BT	14.8	ES	3	1230-1988	Actuator
BT	14.8	ES	4	1230-1868	Guide Bushing
BT	14.8	ES	5	1230-1948	Sealing Disc
BT	14.8	ES	6	1230-1788	Piston Cover
BT	14.8	ES	7	1230-1708	Backplate
BT	14.8	ES	8	1230-1548	Distributor Ring
BT	14.8	ES	12	1122-0575	Air Seal Ring (aka Profile Seals)
BT	14.8	ES	14	1230-0328	Plug Pressure Release
BT	14.8	ES	17	1230-0100	Check Valve Assembly
BT	14.8	ES	18	1230-0110	O-Ring Set Check Valve
BT	14.8	ES	20	1123-6370	Tee Nut and Bolt M24
BT	14.8	ES	21	1230-1588	Soc. Hd Cap Scr. M16x230
BT	14.8	ES	22	1230-1662	Soc. Hd. Cap Scr. (M12 x 35) Backplate to Body
BT	14.8	ES	23	1230-1744	Soc. Hd. Cap Scr. (M10x30) Piston to Actuator
BT	14.8	ES	25	1230-1904	Soc. Low Hd. Cap Scr. (M10x25) Disc to Body
BT	14.8	ES	26	1230-1824	Soc. Low Hd. Cap Scr. (M8 x 30) Bushing to Body
BT	14.8	ES	32	1230-1450	O-Ring Set #33,34,35,36,38,39,40, Except for Check Valve
BT	14.8	ES	46	2200-7019	Fitting Grease (M6x1)
BT	22.4	ES	N/A	1230-1001	BT 22.4 ES AIR CHUCK
BT	22.4	ES	1	1230-1510	Body Chuck
BT	22.4	ES	2	1230-1310	Master Jaws
BT	22.4	ES	3	1230-1990	Actuator
BT	22.4	ES	4	1230-1870	Guide Bushing
BT	22.4	ES	5	1230-1950	Sealing Disc
BT	22.4	ES	6	1230-1790	Piston Cover
BT	22.4	ES	7	1230-1710	Lower Chuck Body
BT	22.4	ES	8	1230-1550	Distributor Ring
BT	22.4	ES	12	1122-0580	Air Seal Ring (aka Profile Seals)
BT	22.4	ES	14	1230-0328	Plug Pressure Release
BT	22.4	ES	17	1230-0100	Check Valve Assembly
BT	22.4	ES	18	1230-0110	O-Ring Set Check Valve
BT	22.4	ES	20	1123-6370	Tee Nut and Bolt M24
BT	22.4	ES	21	1230-1592	Soc. Hd Cap Scr. M20x50
BT	22.4	ES	22	1230-1666	Soc. Hd. Cap Scr. (M16 x 165) Lower part to Body
BT	22.4	ES	23	1230-1746	Soc. Hd. Cap Scr. (M12x35) Piston to Actuator
BT	22.4	ES	25	1230-1904	Soc. Low Hd. Cap Scr. (M10x25) Disc to Body
BT	22.4	ES	26	1230-1826	Soc. Low Hd. Cap Scr. (M10 x 20) Bushing to Body
BT	22.4	ES	32	1230-1470	O-Ring Set #33,34,35,36,37,38,39,&40 Except for Check Valve
BT	22.4	ES	46	2200-7019	Fitting Grease (M6x1)
BP	200	52	N/A	1230-0200	BP 200-52 BIG MOUTH AIR CHUCK
BP	200	52	1	1230-1512	Body Chuck



Model	Size	Through-Hole	ATS Drawing Ref #	ATS Part #	PART DESCRIPTION
BP	200	52	2	1230-1200	Master Jaws
BP	200	52	3	1230-1992	Actuator
BP	200	52	4	1230-1872	Guide Bushing
BP	200	52	5	1230-1952	Sealing Disc
BP	200	52	6	1230-1792	Piston Cover
BP	200	52	7	1230-1712	Backplate
BP	200	52	8	1230-1552	Distributor Ring
BP	200	52	12	1112-0520	Air Seal Ring (aka Profile Seals)
BP	200	52	14	1230-0328	Plug Pressure Release
BP	200	52	17	1230-0100	Check valve Assembly
BP	200	52	18	1230-0110	O-Ring Set Check Valve
BP	200	52	20	1113-6324	Tee Nuts and Blots M12
BP	200	52	21	1230-1580	Stud and Nut (M12)
BP	200	52	22	1230-1660	Soc Hd Cap Scr. (M8x25) Backplate to Body
BP	200	52	25	1230-1900	Soc. Hd. Cap Scr. (M5x16) Sealing Disc to Body
BP	200	52	26	1230-1832	Soc. Low Hd. Cap Scr. (M5 x 10) Bushing to Body
BP	200	52	32	1230-1350	O-Ring Set #33,34,35,36,38,39,40,Except for Check Valve
BP	200	52	46	2200-7019	Fitting Grease (M6x1)
BP	200	52		1230-1748	Retaining Ring (75mm I.D.x2.5mm Thk.)
BP	265	80	N/A	1230-0260	BP 265-80 BIG MOUTH AIR CHUCK
BP	265	80	1	1230-1514	Body Chuck
BP	265	80	2	1230-1210	Master Jaws
BP	265	80	3	1230-1994	Actuator
BP	265	80	4	1230-1874	Guide Bushing
BP	265	80	5	1230-1954	Sealing Disc
BP	265	80	6	1230-1794	Piston Cover
BP	265	80	7	1230-1714	Backplate
BP	265	80	8	1230-1540	Distributor Ring
BP	265	80	12	1112-0525	Air Seal Ring (aka Profile Seals)
BP	265	80	14	1230-0328	Plug Pressure Release
BP	265	80	17	1230-0100	Check Valve Assembly
BP	265	80	18	1230-0110	O-Ring Set Check Valve
BP	265	80	20	1113-6335	Tee Nuts and Bolts M16
BP	265	80	21	1230-1580	Stud and Nut (M12)
BP	265	80	22	1230-1660	Soc Hd Cap Sdr. (M8x25) Backplate to Body
BP	265	80	23	1230-1750	Retaining Ring (101mm I.D.x4mm Thk)
BP	265	80	25	1230-1900	Soc. Hd. Cap Scr. (M5x16) Sealing Disc to Body
BP	265	80	26	1230-1830	Soc. Low Hd. Cap Scr. (M6 x 12) Bushing to Body
BP	265	80	32	1230-1360	O-Ring Set #33,34,35,36,38,39,40,Except for Check Valve
BP	265	80	46	2200-7019	Fitting Grease (M6x1)
BP	265	80	8-a	1230-1532	Distributor Front Ring
BP	265	80	8-b	1230-1534	Distributor Rear Ring
BP	265	80	8-c	1230-1536	Distributor Spacer
BP	265	80	8-d	1230-1538	Distributor PVC Center Ring



Model	Size	Through-Hole	ATS Drawing Ref #	ATS Part #	PART DESCRIPTION
BP	315	105	N/A	1230-0315	BP 315-105 BIG MOUTH AIR CHUCK
BP	315	105	1	1230-1516	Body Chuck
BP	315	105	2	1230-1220	Master Jaws
BP	315	105	3	1230-1996	Actuator
BP	315	105	4	1230-1876	Guide Bushing
BP	315	105	5	1230-1956	Sealing Disc
BP	315	105	6	1230-1796	Piston Cover
BP	315	105	7	1230-1700	Backplate
BP	315	105	8	1230-1540	Distributor Ring
BP	315	105	12	1112-0525	Air Seal Ring (aka Profile Seals)
BP	315	105	14	1230-0328	Plug Pressure Release
BP	315	105	17	1230-0100	Check Valve Assembly
BP	315	105	18	1230-0110	O-Ring Set Check Valve
BP	315	105	20	1113-6335	Tee Nuts and Bolts M16
BP	315	105	21	1230-1580	Stud and Nut (M12)
BP	315	105	22	1230-1660	Soc Hd Cap Scr. (M8x25) Backplate to Body
BP	315	105	23	1230-1752	Soc. Hd. Cap Scr. (M6x16) Piston to Actuator
BP	315	105	25	1230-1900	Soc. Hd. Cap Scr. (M5x16) Sealing Disc to Body
BP	315	105	26	1230-1830	Soc. Low Hd. Cap Scr. (M6 x 12) Bushing to Body
BP	315	105	32	1230-1370	O-Ring Set #33,34,35,36,38,39,40,Except for Check Valve
BP	315	105	46	2200-7019	Fitting Grease (M6x1)
BP	315	105	8-a	1230-1532	Distributor Front Ring
BP	315	105	8-b	1230-1534	Distributor Rear Ring
BP	315	105	8-c	1230-1536	Distributor Spacer
BP	315	105	8-d	1230-1538	Distributor PVC Center Ring
BP	480	185	N/A	1230-0470	BP 480-185 BIG MOUTH AIR CHUCK
BP	480	185	1	1230-1518	Body Chuck
BP	480	185	2	1230-1240	Master Jaws
BP	480	185	3	1230-1998	Actuator
BP	480	185	4	1230-1878	Guide Bushing
BP	480	185	5	1230-1958	Sealing Disc
BP	480	185	6	1230-1798	Piston Cover
BP	480	185	7	1230-1702	Backplate
BP	480	185	8	1230-1542	Distributor Ring
BP	480	185	12	1122-0540	Air Seal Ring (aka Profile Seals)
BP	480	185	14	1230-0328	Plug Pressure Release
BP	480	185	17	1230-0100	Check Valve Assembly
BP	480	185	18	1230-0110	O-Ring Set Check Valve
BP	480	185	20	1123-6345	Tee Nut and Bolt M20
BP	480	185	21	1230-1582	Soc. Hd Cap Scr. M12x150
BP	480	185	22	1230-1662	Soc. Hd. Cap Scr. (M12 x 35) Backplate to Body
BP	480	185	23	1230-1742	Soc. Hd. Cap Scr. (M8x30) Piston to Actuator
BP	480	185	25	1230-1906	Soc. Low Hd. Cap Scr. (M8 x 20) Disc to Body
BP	480	185	26	1230-1828	Soc. Low Hd. Cap Scr. (M8 x 12) Bushing to Body



Model	Size	Through-Hole	ATS Drawing Ref #	ATS Part #	PART DESCRIPTION
BP	480	185	32	1230-1390	O-Ring Set #33,34,35,36,38,39,40, Except for Check Valve
BP	480	185	46	2200-7019	Fitting Grease (M6x1)
BP	500	230	N/A	1230-0500	BP 500-230 BIG MOUTH AIR CHUCK
BP	500	230	1	1230-1520	Body Chuck
BP	500	230	2	1230-1260	Master Jaws
BP	500	230	3	1230-2000	Actuator
BP	500	230	4	1230-1880	Guide Bushing
BP	500	230	5	1230-1960	Sealing Disc
BP	500	230	6	1230-1800	Piston Cover
BP	500	230	7	1230-1720	Backplate
BP	500	230	8	1230-1554	Distributor Ring
BP	500	230	12	1122-0550	Air Seal Ring (aka Profile Seals)
BP	500	230	14	1230-0328	Plug Pressure Release
BP	500	230	17	1230-0100	Check Valve Assembly
BP	500	230	18	1230-0110	O-Ring Set Check Valve
BP	500	230	20	1123-6345	Tee Nut and Bolt M20
BP	500	230	21	1230-1584	Soc. Hd Cap Scr. M12x160
BP	500	230	22	1230-1662	Soc. Hd. Cap Scr. (M12 x 35) Backplate to Body
BP	500	230	23	1230-1742	Soc. Hd. Cap Scr. (M8x30) Piston to Actuator
BP	500	230	25	1230-1906	Soc. Low Hd. Cap Scr. (M8 x 20) Disc to Body
BP	500	230	26	1230-1828	Soc. Low Hd. Cap Scr. (M8 x 12) Bushing to Body
BP	500	230	32	1230-1410	O-Ring Set #33,34,35,36,38,39,40, Except for Check Valve
BP	500	230	46	2200-7019	Fitting Grease (M6x1)
BP	640	275	N/A	1230-0630	BP 640-275 BIG MOUTH AIR CHUCK
BP	640	275	1	1230-1522	Body Chuck
BP	640	275	2	1230-1280	Master Jaws
BP	640	275	3	1230-2002	Actuator
BP	640	275	4	1230-1882	Guide Bushing
BP	640	275	5	1230-1962	Sealing Disc
BP	640	275	6	1230-1802	Piston Cover
BP	640	275	7	1230-1722	Backplate
BP	640	275	8	1230-1546	Distributor Ring
BP	640	275	12	1122-0563	Air Seal Ring (aka Profile Seals)
BP	640	275	14	1230-0328	Plug Pressure Release
BP	640	275	17	1230-0100	Check Valve Assembly
BP	640	275	18	1230-0110	O-Ring Set Check Valve
BP	640	275	20	1123-6370	Tee Nut and Bolt M24
BP	640	275	21	1230-1586	Soc. Hd Cap Scr. M16x200
BP	640	275	22	1230-1662	Soc. Hd. Cap Scr. (M12 x 35) Backplate to Body
BP	640	275	23	1230-1744	Soc. Hd. Cap Scr. (M10x30) Piston to Actuator
BP	640	275	25	1230-1904	Soc. Low Hd. Cap Scr. (M10 x 25) Disc to Body
BP	640	275	26	1230-1822	Soc. Low Hd. Cap Scr. (M8 x 20) Bushing to Body
BP	640	275	32	1230-1430	O-Ring Set #33,34,35,36,38,39,40, Except for Check Valve
BP	640	275	46	2200-7019	Fitting Grease (M6x1)



Model	Size	Through-Hole	ATS Drawing Ref #	ATS Part #	PART DESCRIPTION
BP	685	325	N/A	1230-0632	BP 685-325 BIG MOUTH AIR CHUCK
BP	685	325	1	1230-1523	Body Chuck
BP	685	325	2	1230-1280	Master Jaws
BP	685	325	3	1230-2003	Actuator
BP	685	325	4	1230-1883	Guide Bushing
BP	685	325	5	1230-1963	Sealing Disc
BP	685	325	6	1230-1803	Piston Cover
BP	685	325	7	1230-1723	Backplate
BP	685	325	8	1230-1546	Distributor Ring
BP	685	325	12	1122-0563	Air Seal Ring (aka Profile Seals)
BP	685	325	14	1230-0328	Plug Pressure Release
BP	685	325	17	1230-0100	Check Valve Assembly
BP	685	325	18	1230-0110	O-Ring Set Check Valve
BP	685	325	20	1123-6370	Tee Nut and Bolt M24
BP	685	325	21	1230-1586	Soc. Hd Cap Scr. M16x200
BP	685	325	22	1230-1662	Soc. Hd. Cap Scr. (M12 x 35) Backplate to Body
BP	685	325	23	1230-1744	Soc. Hd. Cap Scr. (M10x30) Piston to Actuator
BP	685	325	25	1230-1904	Soc. Low Hd. Cap Scr. (M10 x 25) Disc to Body
BP	685	325	26	1230-1822	Soc. Low Hd. Cap Scr. (M8 x 20) Bushing to Body
BP	685	325	32	1230-1445	O-Ring Set #33,34,35,36,38,39,40, Except for Check Valve
BP	685	325	46	2200-7019	Fitting Grease (M6x1)
BP	800	375	N/A	1230-0800	BP 800-375 BIG MOUTH AIR CHUCK
BP	800	375	1	1230-1524	Body Chuck
BP	800	375	2	1230-1300	Master Jaws
BP	800	375	3	1230-2004	Actuator
BP	800	375	4	1230-1884	Guide Bushing
BP	800	375	5	1230-1964	Sealing Disc
BP	800	375	6	1230-1804	Piston Cover
BP	800	375	7	1230-1724	Backplate
BP	800	375	8	1230-1550	Distributor Ring
BP	800	375	12	1122-0580	Air Seal Ring (aka Profile Seals)
BP	800	375	14	1230-0328	Plug Pressure Release
BP	800	375	17	1230-0100	Check Valve Assembly
BP	800	375	18	1230-0110	O-Ring Set Check Valve
BP	800	375	20	1123-6370	Tee Nut and Bolt M24
BP	800	375	21	1230-1588	Soc. Hd Cap Scr. M16x230
BP	800	375	22	1230-1664	Soc. Hd. Cap Scr. (M16 x 165) Backplate to Body
BP	800	375	23	1230-1746	Soc. Hd. Cap Scr. (M12x35) Piston to Actuator
BP	800	375	25	1230-1904	Soc. Low Hd. Cap Scr. (M10 x 25) Disc to Body
BP	800	375	26	1230-1822	Soc. Low Hd. Cap Scr. (M8 x 20) Bushing to Body
BP	800	375	32	1230-1460	O-Ring Set #33,34,35,36,38,39,40, Except for Check Valve
BP	800	375	46	2200-7019	Fitting Grease (M6x1)
BP	800	410	N/A	1230-0810	BP 800-410 BIG MOUTH AIR CHUCK
BP	800	410	1	1230-1526	Body Chuck



Model	Size	Through-Hole	ATS Drawing Ref #	ATS Part #	PART DESCRIPTION
BP	800	410	2	1230-1300	Master Jaws
BP	800	410	3	1230-2006	Actuator
BP	800	410	4	1230-1886	Guide Bushing
BP	800	410	5	1230-1966	Sealing Disc
BP	800	410	6	1230-1806	Piston Cover
BP	800	410	7	1230-1726	Backplate
BP	800	410	8	1230-1550	Distributor Ring
BP	800	410	12	1122-0580	Air Seal Ring (aka Profile Seals)
BP	800	410	14	1230-0328	Plug Pressure Release
BP	800	410	17	1230-0100	Check Valve Assembly
BP	800	410	18	1230-0110	O-Ring Set Check Valve
BP	800	410	20	1123-6370	Tee Nut and Bolt M24 x 65
BP	800	410	21	1230-1588	Soc. Hd Cap Scr. M16x230
BP	800	410	22	1230-1664	Soc. Hd. Cap Scr. (M16 x 165) Backplate to Body
BP	800	410	23	1230-1746	Soc. Hd. Cap Scr. (M12x35) Piston to Actuator
BP	800	410	25	1230-1904	Soc. Low Hd. Cap Scr. (M10 x 25) Disc to Body
BP	800	410	26	1230-1822	Soc. Low Hd. Cap Scr. (M8 x 20) Bushing to Body
BP	800	410	32	1230-1465	O-Ring Set #33,34,35,36,38,39,40, Except for Check Valve
BP	800	410	46	2200-7019	Fitting Grease (M6x1)