

Complete Your Investment



ATS Systems : formerly ATS Workholding & SMW Systems

**ULTIMATE CHUCK
QUICK JAW CHANGE
POWER CHUCK**

MODELS UC2 & UC2-B

Spare Parts List
and Drawings



October 1, 2007

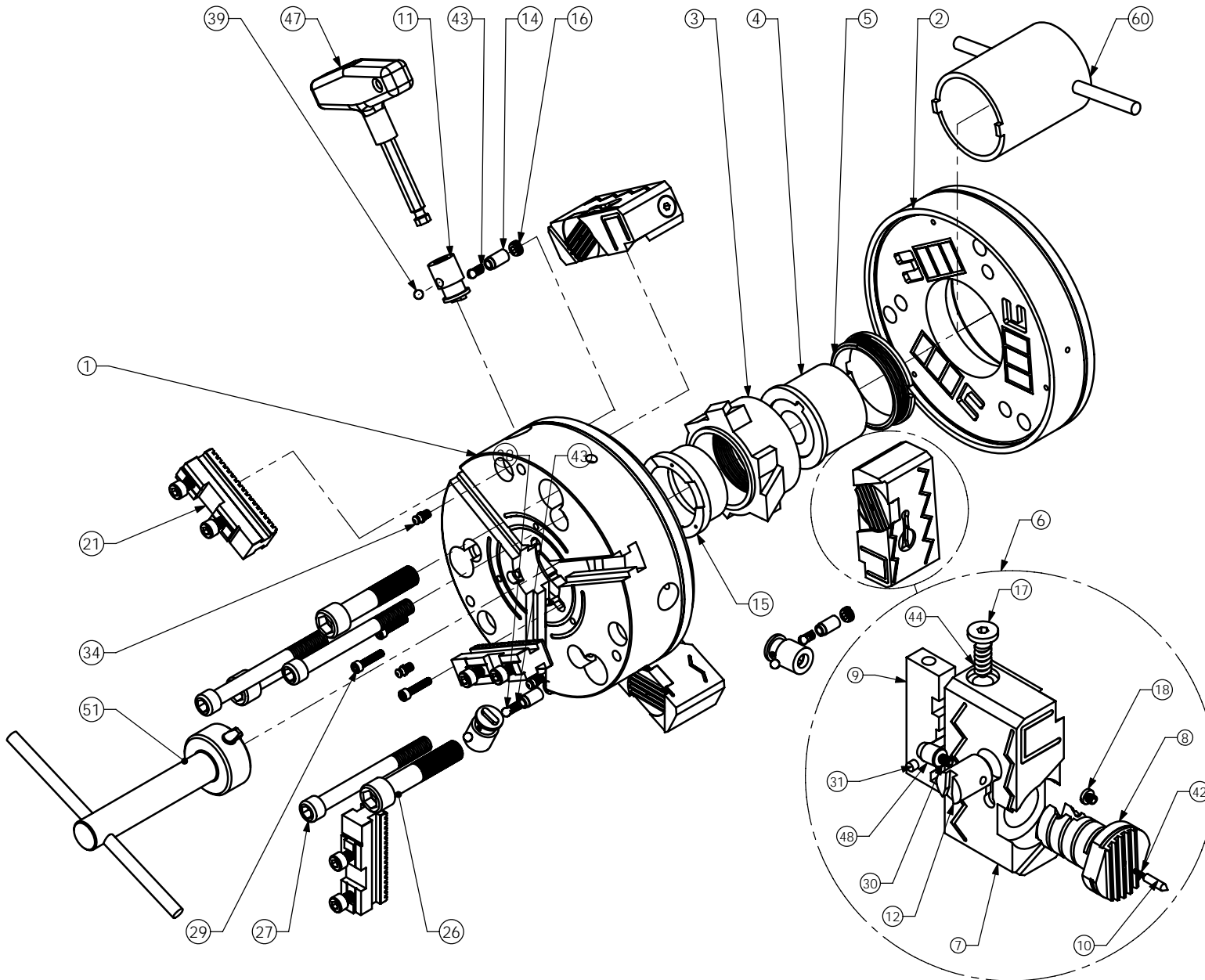
30222 Esperanza
RSM, CA 92688
P 800/321.1833
800.423.4651
www.ats-s.com



UC2 - ULTIMATE CHUCK GENERAL PARTS LIST

Item	Description	Sold As
1	Chuck Body	NSS
2	Backplate	Each
3	Actuator	Each
4	Drawtube Adapter	Each
5	Retaining Ring - Drawtube	Each
6	Wedge Bar Kit (Inc. 7, 8, 9, 10, 12, 17, 18, 30, 31, 42, 44, 48)	Set of 1
7*	Wedge Bar	Kit
8*	Rack, Wedge Bar	Kit
9*	Cam, Wedge Bar	Kit
10	Pin, Jaw Pre-Position	Each
11	Cam Bolt	Each
12	Cam Pin	Each
14	Pin, Cam Bolt	Each
15	Guide Bushing	Each
16	Pin Keeper	Each
17	Pin, Cam	Each
18	Cap	Each
21	Base Jaw	Set of 3
26	Screw	Each
27	Screw	Each
29	Screw	Each
30	Screw, Special	Each
31	Pin	Each
34	Grease Fitting	Each
38	Ball, Cam Pin	Each
39	Ball, Cam Bolt	Each
42	Spring, Rack	Each
43	Spring, Cam Bolt	Each
44	Spring, Cam	Each
47	Wrench, Jaw Change	Each
48	Effector, Cam Pin	Each
51	Wrench, Drawtube Adapter	Each
60	Wrench, Retaining Ring	Each

*Note - Sold with Kit #6 only.

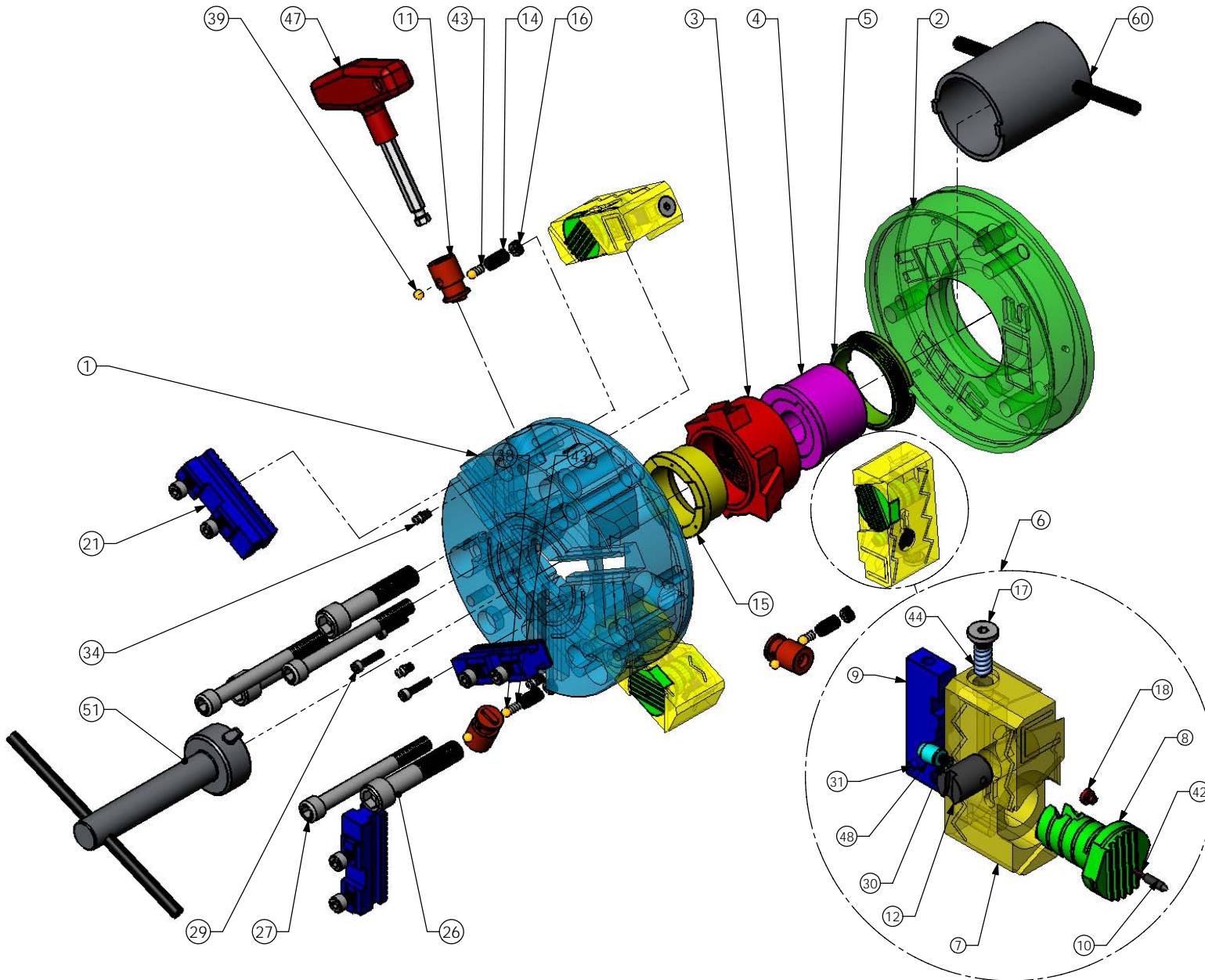




UC2 - ULTIMATE CHUCK GENERAL PARTS LIST

Item	Description	Sold As
1	Chuck Body	NSS
2	Backplate	Each
3	Actuator	Each
4	Drawtube Adapter	Each
5	Retaining Ring - Drawtube	Each
6	Wedge Bar Kit (Inc. 7, 8, 9, 10, 12, 17, 18, 30, 31, 42, 44, 48)	Set of 1
7*	Wedge Bar	Kit
8*	Rack, Wedge Bar	Kit
9*	Cam, Wedge Bar	Kit
10	Pin, Jaw Pre-Position	Each
11	Cam Bolt	Each
12	Cam Pin	Each
14	Pin, Cam Bolt	Each
15	Guide Bushing	Each
16	Pin Keeper	Each
17	Pin, Cam	Each
18	Cap	Each
21	Base Jaw	Set of 3
26	Screw	Each
27	Screw	Each
29	Screw	Each
30	Screw, Special	Each
31	Pin	Each
34	Grease Fitting	Each
38	Ball, Cam Pin	Each
39	Ball, Cam Bolt	Each
42	Spring, Rack	Each
43	Spring, Cam Bolt	Each
44	Spring, Cam	Each
47	Wrench, Jaw Change	Each
48	Effector, Cam Pin	Each
51	Wrench, Drawtube Adapter	Each
60	Wrench, Retaining Ring	Each

*Note - Sold with Kit #6 only.





ATS Systems
Ultimate Chuck UC2(B) Model Parts List

10/1/2007

Model	Size	Thru-Hole	Mount	Drawing Ref #	ATS Part #	PART DESCRIPTION
UC2	170	45	3Z		2403-0110	UC2-170-45 3Z Chuck assembly
UC2	170	45	A5		2403-0120	UC2-170-45 A-5 Chuck assembly
UC2	170	45	A6		2403-0130	UC2-170-45 A-6 Chuck assembly
UC2	170	45	All	1	2400-0100	Chuck body - UC2 170-45
UC2	170	45	3Z	2a	2400-1100	Backplate, UC2 170-45 3Z
UC2	170	45	A5	2b	2400-1110	Backplate, UC2 170-45 3A5
UC2	170	45	A6	2c	2400-1120	Backplate, UC2 170-45 3A6
UC2	170	45	All	3	2400-0120	Actuator UC2 170-45
UC2	170	45	All	4	2400-0040	Blank drawtube adapter UC2 170-45
UC2	170	45	All	5	2400-0300	Retaining ring drawtube adapter
UC2	170	45	All	20	2400-0600	Wedge bar assembly UC2 170-45
UC2	170	45	All	7	2400-0140	Wedge bar UC2 170-45
UC2	170	45	All	8	2400-0160	Rack, wedge bar UC2 170-45
UC2	170	45	All	9	2400-0180	Cam, wedge bar rack UC2 170-45
UC2	170	45	All	10	2400-0200	Pin, jaw pre-position UC2 170-45
UC2	170	45	All	11	2400-0220	Cam bolt UC2 170-45
UC2	170	45	All	12	2400-0240	Cam pin UC2 170-45
UC2	170	45	All	14	2400-0260	Pin, Keeper UC2 170-45 (OLD)
UC2	170	45	All	14	2400-0261	Pin, Keeper UC2 170-45 (NEW)
UC2	170	45	All	16	n/a	Not Required
UC2	170	45	All	15	2400-0280	Guide bushing UC2 170-45
UC2	170	45	All	17	2400-0320	Pin UC2 170-45
UC2	170	45	All	18	2400-0340	Cap, Spring UC2 170-45
UC2	170	45	All	21	1192-2210	Base jaw with cap screws
UC2	170	45	All	22	80-0158	Socket head cap screw M8X20
UC2	170	45	3Z	26a	80-0739	Socket head cap screw M12X70
UC2	170	45	A5	26b	80-0428	Socket head cap screw M12X90
UC2	170	45	A6	26c	80-0494	Socket head cap screw M12X110
UC2	170	45	3Z	27a	80-1033	Socket head cap screw M10X95
UC2	170	45	A5	27b	80-1006	Socket head cap screw M10X105
UC2	170	45	A6	27c		Socket head cap screw M10X70
UC2	170	45	All	29	80-0877	Socket head cap screw M4X20
UC2	170	45	All	30	80-0956	Screw special UC2 170-45
UC2	170	45	All	31	2400-0360	Pin
UC2	170	45	All	34	2200-7019	Fitting grease M6X1
UC2	170	45	All	36		Plug
UC2	170	45	All	38	1142-2626	Ball steel 6.0 mm
UC2	170	45	All	39	1142-2615	Ball steel 7.0 mm
UC2	170	45	All	40		Plug, blance correction
UC2	170	45	All	42	2400-0440	Spring
UC2	170	45	All	43	2400-0456	Spring
UC2	170	45	All	44	2400-0460	Spring



ATS Systems
Ultimate Chuck UC2(B) Model Parts List

10/1/2007

Model	Size	Thru-Hole	Mount	Drawing Ref #	ATS Part #	PART DESCRIPTION
UC2	170	45	All	47	2400-0386	Wrench, jaw change 170/315
UC2	170	45	All	48	2400-0390	Effector, cam pin 170/315
UC2	170	45	All	51	2400-0400	Wrench, drawtube adjusting
UC2	170	45	All	60	2400-0420	Wrench, retaining ring
UC2	210	52	3Z		2403-0210	UC2-210-52 3Z Chuck assembly
UC2	210	52	A6		2403-0220	UC2-210-52 A-6 Chuck assembly
UC2	210	52	A8		2403-0230	UC2-210-52 A-8 Chuck assembly
UC2	210	52	All	1	2400-0102	Chuck body - UC2 210-52
UC2	210	52	3Z	2a	2400-1200	Backplate, UC2 210-52 3Z
UC2	210	52	A6	2b	2400-1210	Backplate, UC2 210-52 3A6
UC2	210	52	A8	2c	2400-1220	Backplate, UC2 210-52 3A8
UC2	210	52	All	3	2400-0122	Actuator UC2 210-52
UC2	210	52	All	4	2400-0042	Blank drawtube adapter UC2 210-52
UC2	210	52	All	5	2400-0302	Retaining ring drawtube adapter
UC2	210	52	All	20	2400-0602	Wedge bar assembly UC2 210/225
UC2	210	52	All	7	2400-0142	Wedge bar UC2 210/225
UC2	210	52	All	8	2400-0162	Rack, wedge bar UC2 210/225
UC2	210	52	All	9	2400-0182	Cam, wedge bar rack UC2 210/225
UC2	210	52	All	10	2400-0202	Pin, jaw pre-position UC2 210/225
UC2	210	52	All	11	2400-0222	Cam bolt UC2 210/225
UC2	210	52	All	12	2400-0242	Cam pin UC2 210/225
UC2	210	52	All	14	2400-0262	Pin, keeper UC2 210/225 (OLD)
UC2	210	52	All	14	2400-0263	Pin, keeper UC2 210/225 (NEW)
UC2	210	52	a	16	n/a	Not Required
UC2	210	52	All	15	2400-0282	Guide bushing UC2 210-52
UC2	210	52	All	17	2400-0322	Pin UC2 210/315
UC2	210	52	All	18	2400-0342	Locking screw UC2 210/400
UC2	210	52	All	21	1192-2220	Base jaw with cap screws
UC2	210	52	All	22	80-0158	Socket head cap screw M8X20
UC2	210	52	3Z	26a	80-0656	Socket head cap screw M16X80
UC2	210	52	A6	26b	80-0656	Socket head cap screw M16X80
UC2	210	52	A8	26c	80-0305	Socket head cap screw M16X120
UC2	210	52	3Z	27a	80-1011	Socket head cap screw M12X105
UC2	210	52	A6	27b	80-0252	Socket head cap screw M12X120
UC2	210	52	A8	27c	80-0657	Socket head cap screw M12X80
UC2	210	52	All	29	80-0685	Socket head cap screw M5X25
UC2	210	52	All	30	80-0956	Screw special UC2 210-52
UC2	210	52	All	31	2400-0362	Pin
UC2	210	52	All	34	2200-7019	Fitting grease M6X1
UC2	210	52	All	36		Plug
UC2	210	52	All	38	1142-2626	Ball steel 6.0 mm
UC2	210	52	All	39	1142-2615	Ball steel 7.0 mm



ATS Systems
Ultimate Chuck UC2(B) Model Parts List

10/1/2007

Model	Size	Thru-Hole	Mount	Drawing Ref #	ATS Part #	PART DESCRIPTION
UC2	210	52	All	40		Plug, blance correction
UC2	210	52	All	42	2400-0442	Spring
UC2	210	52	All	43	2400-0456	Spring
UC2	210	52	All	44	2400-0462	Spring
UC2	210	52	All	47	2400-0386	Wrench, jaw change 170/315
UC2	210	52	All	48	2400-0390	Effector, cam pin 170/315
UC2	210	52	All	51	2400-0402	Wrench, drawtube adjusting
UC2	210	52	All	60	2400-0422	Wrench, retaining ring
UC2	225	68	3Z		2403-0310	UC2-225-68 3Z Chuck assembly
UC2	225	68	A6		2403-0320	UC2-225-68 A-6 Chuck assembly
UC2	225	68	A8		2403-0330	UC2-225-68 A-8 Chuck assembly
UC2	225	68	All	1	2400-0104	Chuck body - UC2 225-68
UC2	225	68	3Z	2a	2400-1300	Backplate, UC2 225-68 3Z
UC2	225	68	A6	2b	2400-1310	Backplate, UC2 225-68 3A6
UC2	225	68	A8	2c	2400-1320	Backplate, UC2 225-68 3A8
UC2	225	68	All	3	2400-0124	Actuator UC2 225-68
UC2	225	68	All	4	2400-0044	Blank drawtube adapter UC2 210-52
UC2	225	68	All	5	2400-0304	Retaining ring drawtube adapter
UC2	225	68	All	20	2400-0602	Wedge bar assembly UC2 210/225
UC2	225	68	All	7	2400-0142	Wedge bar UC2 210/225
UC2	225	68	All	8	2400-0162	Rack, wedge bar UC2 210/225
UC2	225	68	All	9	2400-0182	Cam, wedge bar rack UC2 210/225
UC2	225	68	All	10	2400-0202	Pin, jaw pre-position UC2 210/225
UC2	225	68	All	11	2400-0222	Cam bolt UC2 210/225
UC2	225	68	All	12	2400-0242	Cam pin UC2 210/225
UC2	225	68	All	14	2400-0262	Pin, keeper UC2 210/225 (OLD)
UC2	225	68	All	14	2400-0263	Pin, keeper UC2 210/225 (NEW)
UC2	225	68	All	16	n/a	Not Required
UC2	225	68	All	15	2400-0284	Guide bushing UC2 225-68
UC2	225	68	All	17	2400-0322	Pin UC2 210/315
UC2	225	68	All	18	2400-0342	Cap, Spring UC2 210/400
UC2	225	68	All	21	1192-2220	Base jaw with cap screws
UC2	225	68	All	22	80-0158	Socket head cap screw M8X20
UC2	225	68	3Z	26a	80-0656	Socket head cap screw M16X80
UC2	225	68	A6	26b	80-0656	Socket head cap screw M16X80
UC2	225	68	A8	26c	80-0305	Socket head cap screw M16X120
UC2	225	68	3Z	27a	80-1011	Socket head cap screw M12X105
UC2	225	68	A6	27b	80-0252	Socket head cap screw M12X120
UC2	225	68	A8	27c	80-0657	Socket head cap screw M12X80
UC2	225	68	All	29	80-0685	Socket head cap screw M5X25
UC2	225	68	All	30	80-0956	Screw special UC2 210-52
UC2	225	68	All	31	2400-0362	Pin



ATS Systems
Ultimate Chuck UC2(B) Model Parts List

10/1/2007

Model	Size	Thru-Hole	Mount	Drawing Ref #	ATS Part #	PART DESCRIPTION
UC2	225	68	All	34	2200-7019	Fitting grease M6X1
UC2	225	68	All	36		Plug
UC2	225	68	All	38	1142-2626	Ball steel 6.0 mm
UC2	225	68	All	39	1142-2615	Ball steel 7.0 mm
UC2	225	68	All	40		Plug, blance correction
UC2	225	68	All	42	2400-0442	Spring
UC2	225	68	All	43	2400-0456	Spring
UC2	225	68	All	44	2400-0462	Spring
UC2	225	68	All	47	2400-0386	Wrench, jaw change 170/315
UC2	225	68	All	48	2400-0390	Effector, cam pin 170/315
UC2	225	68	All	51	2400-0404	Wrench, drawtube adjusting
UC2	225	68	All	60	2400-0424	Wrench, retaining ring
UC2	265	77	3Z		2403-0410	UC2-265-77 3Z Chuck assembly
UC2	265	77	A6		2403-0420	UC2-265-77 A-6 Chuck assembly
UC2	265	77	A8		2403-0430	UC2-265-77 A-8 Chuck assembly
UC2	265	77	All	1	2400-0106	Chuck body - UC2 265-77
UC2	265	77	3Z	2a	2400-1400	Backplate, UC2 265-77 3Z
UC2	265	77	A6	2b	2400-1410	Backplate, UC2 265-77 3A6
UC2	265	77	A8	2c	2400-1420	Backplate, UC2 265-77 3A8
UC2	265	77	All	3	2400-0126	Actuator UC2 265-77
UC2	265	77	All	4	2400-0046	Blank drawtube adapter UC2 265-77
UC2	265	77	All	5	2400-0306	Retaining ring drawtube adapter
UC2	265	77	All	20	2400-0604	Wedge bar assembly UC2 265-77
UC2	265	77	All	7	2400-0146	Wedge bar UC2 265-77
UC2	265	77	All	8	2400-0166	Rack, wedge bar UC2 265-77
UC2	265	77	All	9	2400-0186	Cam, wedge bar rack UC2 265-77
UC2	265	77	All	10	2400-0206	Pin, jaw pre-position UC2 265-77
UC2	265	77	All	11	2400-0226	Cam bolt UC2 265-77
UC2	265	77	All	12	2400-0246	Cam pin UC2 265-77
UC2	265	77	All	14	2400-0265	Pin, keeper UC2 265/315 (OLD)
UC2	265	77	All	14/16	2400-0267	Pin, keeper UC2 265 (NEW)
UC2	265	77	All	14/16	2400-0472	Plug for keep pin
UC2	265	77	All	15	2400-0286	Guide bushing UC2 265-77
UC2	265	77	All	17	2400-0322	Pin UC2 210/315
UC2	265	77	All	18	2400-0342	Cap, Spring UC2 210/400
UC2	265	77	All	21	1192-2225	Base jaw with cap screws
UC2	265	77	All	22	80-0168	Socket head cap screw M12X30
UC2	265	77	3Z	26a	80-0885	Socket head cap screw M16X90
UC2	265	77	A6	26b	80-0885	Socket head cap screw M16X90
UC2	265	77	A8	26c	80-0883	Socket head cap screw M16X140
UC2	265	77	3Z	27a		Socket head cap screw M12X135
UC2	265	77	A6	27b	80-1038	Socket head cap screw M12X140



ATS Systems
Ultimate Chuck UC2(B) Model Parts List

10/1/2007

Model	Size	Thru-Hole	Mount	Drawing Ref #	ATS Part #	PART DESCRIPTION
UC2	265	77	A8	27c	80-0428	Socket head cap screw M12X90
UC2	265	77	All	29		Socket head cap screw M5X30
UC2	265	77	All	30	80-0956	Screw special UC2 265-77
UC2	265	77	All	31	2400-0366	Pin
UC2	265	77	All	34	2200-7019	Fitting grease M6X1
UC2	265	77	All	36		Plug
UC2	265	77	All	38	1142-2626	Ball steel 6.0 mm
UC2	265	77	All	39	1142-2615	Ball steel 7.0 mm
UC2	265	77	All	40		Plug, blance correction
UC2	265	77	All	42	2400-0442	Spring
UC2	265	77	All	43	2400-0456	Spring
UC2	265	77	All	44	2400-0462	Spring
UC2	265	77	All	47	2400-0386	Wrench, jaw change 170/315
UC2	265	77	All	48	2400-0390	Effector, cam pin 170/315
UC2	265	77	All	51	2400-0406	Wrench, drawtube adjusting
UC2	265	77	All	60	2400-0426	Wrench, retaining ring
UC2	315	91	3Z		2403-0510	UC2-315-91 3Z Chuck assembly
UC2	315	91	A8		2403-0520	UC2-315-91 A-8 Chuck assembly
UC2	315	91	A11		2403-0530	UC2-315-91 A-11 Chuck assembly
UC2	315	91	ALL	1	2400-0108	Chuck body - UC2 315-91
UC2	315	91	3Z	2a	2400-1500	Backplate, UC2 315-91 3Z
UC2	315	91	A8	2b	2400-1510	Backplate, UC2 315-91 3A8
UC2	315	91	A11	2c	2400-1520	Backplate, UC2 315-91 3A11
UC2	315	91	ALL	3	2400-0128	Actuator UC2 315-91
UC2	315	91	ALL	4	2400-0048	Blank drawtube adapter UC2 315-91
UC2	315	91	ALL	5	2400-0308	Retaining ring drawtube adapter
UC2	315	91	ALL	20	2400-0606	Wedge bar assembly UC2 315-91
UC2	315	91	ALL	7	2400-0148	Wedge bar UC2 315-91
UC2	315	91	ALL	8	2400-0168	Rack, wedge bar UC2 315-91
UC2	315	91	ALL	9	2400-0188	Cam, wedge bar rack UC2 315-91
UC2	315	91	ALL	10	2400-0208	Pin, jaw pre-position UC2 315-91
UC2	315	91	ALL	11	2400-0228	Cam bolt UC2 315-91
UC2	315	91	ALL	12	2400-0246	Cam pin UC2 265/315
UC2	315	91	ALL	14	2400-0265	Pin, keeper UC2 265/315 (Old)
UC2	315	91	ALL	14/16	2400-0269	Pin, keeper UC2 315 (NEW)
UC2	315	91	ALL	14/16	2400-0472	Plug for keep pin
UC2	315	91	ALL	15	2400-0288	Guide bushing UC2 315-91
UC2	315	91	ALL	17	2400-0322	Pin UC2 210/315
UC2	315	91	ALL	18	2400-0342	Cap, Spring UC2 210/400
UC2	315	91	ALL	21	1192-2231	Base jaw with cap screws
UC2	315	91	ALL	22	80-0168	Socket head cap screw M12X30
UC2	315	91	3Z	26a		Socket head cap screw M20x105



ATS Systems
Ultimate Chuck UC2(B) Model Parts List

10/1/2007

Model	Size	Thru-Hole	Mount	Drawing Ref #	ATS Part #	PART DESCRIPTION
UC2	315	91	A8	26b		Socket head cap screw M20x105
UC2	315	91	A11	26c	80-0615	Socket head cap screw M20X150
UC2	315	91	3Z	27a	80-0508	Socket head cap screw M16X135
UC2	315	91	A8	27b	80-0621	Socket head cap screw M16x155
UC2	315	91	A11	27c		Socket head cap screw M16X105
UC2	315	91	ALL	29	80-0156	Socket head cap screw M6X30
UC2	315	91	ALL	30	80-0956	Screw special UC2 315-91
UC2	315	91	ALL	31	2400-0366	Pin
UC2	315	91	ALL	34	2200-7019	Fitting grease M6X1
UC2	315	91	ALL	36		Plug
UC2	315	91	ALL	38	1142-2626	Ball steel 6.0 mm
UC2	315	91	ALL	39	1142-2615	Ball steel 7.0 mm
UC2	315	91	ALL	40		Plug, blance correction
UC2	315	91	ALL	42	2400-0446	Spring
UC2	315	91	ALL	43	2400-0456	Spring
UC2	315	91	ALL	44	2400-0462	Spring
UC2	315	91	ALL	47	2400-0386	Wrench, jaw change 170/315
UC2	315	91	ALL	48	2400-0390	Effector, cam pin 170/315
UC2	315	91	ALL	51	2400-0408	Wrench, drawtube adjusting
UC2	315	91	ALL	60	2400-0428	Wrench, retaining ring
UC2	315	104	3Z		2403-0546	UC2-315-104 3Z Chuck assembly
UC2	315	104	A8		2403-0540	UC2-315-104 A-8 Chuck assembly
UC2	315	104	A11		2403-0542	UC2-315-104 A-11 Chuck assembly
UC2	315	104	ALL	1	2400-0109	Chuck body - UC2 315-104
UC2	315	104	3Z	2a	2400-1504	Backplate, UC2 315-104 3Z
UC2	315	104	A8	2b	2400-1514	Backplate, UC2 315-104 3A8
UC2	315	104	A11	2c	2400-1530	Backplate, UC2 315-104 3A11
UC2	315	104	ALL	3	2400-0129	Actuator UC2 315-104
UC2	315	104	ALL	4	2400-0049	Blank drawtube adapter UC2 315-104
UC2	315	104	ALL	5	2400-0309	Retaining ring drawtube adapter
UC2	315	104	ALL	20	2400-0606	Wedge bar assembly UC2 315-91&104
UC2	315	104	ALL	7	2400-0148	Wedge bar UC2 315-91
UC2	315	104	ALL	8	2400-0168	Rack, wedge bar UC2 315-91&104
UC2	315	104	ALL	9	2400-0188	Cam, wedge bar rack UC2 315-91&104
UC2	315	104	ALL	10	2400-0208	Pin, jaw pre-position UC2 315-91&104
UC2	315	104	ALL	11	2400-0229	Cam bolt UC2 315-104
UC2	315	104	ALL	12	2400-0246	Cam pin UC2 265/315
UC2	315	104	ALL	14	2400-0265	Pin, keeper UC2 265/315 (Old)
UC2	315	104	ALL	14/16	2400-0267	Pin, keeper UC2 315 (New)
UC2	315	104	ALL	14/16	2400-0472	Plug for keep pin
UC2	315	104	ALL	15	2400-0289	Guide bushing UC2 315-104
UC2	315	104	ALL	17	2400-0322	Pin UC2 210/315



ATS Systems
Ultimate Chuck UC2(B) Model Parts List

10/1/2007

Model	Size	Thru-Hole	Mount	Drawing Ref #	ATS Part #	PART DESCRIPTION
UC2	315	104	ALL	18	2400-0342	Cap, Spring UC2 210/400
UC2	315	104	ALL	21	1192-2231	Base jaw with cap screws
UC2	315	104	ALL	22	80-0168	Socket head cap screw M12X30
UC2	315	104	3Z	26a		Socket head cap screw M20x105
UC2	315	104	A8	26b		Socket head cap screw M20x105
UC2	315	104	A11	26c	80-0615	Socket head cap screw M20X150
UC2	315	104	3Z	27a	80-0508	Socket head cap screw M16X135
UC2	315	104	A8	27b	80-0621	Socket head cap screw M16x155
UC2	315	104	A11	27c		Socket head cap screw M16X105
UC2	315	104	ALL	29	80-0156	Socket head cap screw M6X30
UC2	315	104	ALL	30	80-0956	Screw special UC2 315-91&104
UC2	315	104	ALL	31	2400-0366	Pin
UC2	315	104	ALL	34	2200-7019	Fitting grease M6X1
UC2	315	104	ALL	36		Plug
UC2	315	104	ALL	38	1142-2626	Ball steel 6.0 mm
UC2	315	104	ALL	39	1142-2615	Ball steel 7.0 mm
UC2	315	104	ALL	40		Plug, blance correction
UC2	315	104	ALL	42	2400-0446	Spring
UC2	315	104	ALL	43	2400-0456	Spring
UC2	315	104	ALL	44	2400-0462	Spring
UC2	315	104	ALL	47	2400-0386	Wrench, jaw change 170/315
UC2	315	104	ALL	48	2400-0390	Effector, cam pin 170/315
UC2	315	104	ALL	51	2400-0409	Wrench, drawtube adjusting
UC2	315	104	ALL	60	2400-0429	Wrench, retaining ring
UC2	400	128	3Z		2403-0610	UC2-400-128 3Z-300 Chuck assembly
UC2	400	128	3Z		2403-0615	UC2-400-128 3Z-380 Chuck assembly
UC2	400	128	A11		2403-0620	UC2-400-128 A-11 Chuck assembly
UC2	400	128	A15		3403-0630	UC2-400-128 A-15 Chuck assembly
UC2	400	128	ALL	1	2400-0108	Chuck body - UC2 400-128
UC2	400	128	3Z	2a	2400-1600	Backplate, UC2 400-128 3Z-300
UC2	400	128	3Z	2b	2400-1610	Backplate, UC2 400-128 3Z-380
UC2	400	128	A11	2c	2400-1620	Backplate, UC2 400-128 3A11
UC2	400	128	A15	2d	2400-1630	Backplate, UC2 400-128 3A15
UC2	400	128	ALL	3	2400-0130	Actuator UC2 400-128
UC2	400	128	ALL	4	2400-0050	Blank drawtube adapter UC2 400-128
UC2	400	128	ALL	5	2400-0310	Retaining ring drawtube adapter
UC2	400	128	ALL	20	2400-0608	Wedge bar assembly UC2 400-128
UC2	400	128	ALL	7	2400-0150	Wedge bar UC2 400-128
UC2	400	128	ALL	8	2400-0170	Rack, wedge bar UC2 400-128
UC2	400	128	ALL	9	2400-0190	Cam, wedge bar rack UC2 400-128
UC2	400	128	ALL	10	2400-0210	Pin, jaw pre-position UC2 400-128
UC2	400	128	ALL	11	2400-0230	Cam bolt UC2 400-128



ATS Systems
Ultimate Chuck UC2(B) Model Parts List

10/1/2007

Model	Size	Thru-Hole	Mount	Drawing Ref #	ATS Part #	PART DESCRIPTION
UC2	400	128	ALL	12	2400-0250	Cam pin UC2 400-128
UC2	400	128	ALL	14	2400-0270	Pin, keeper UC2 400/500 (OLD)
UC2	400	128	ALL	14/16	2400-0271	Pin, keeper UC2 400 (NEW)
UC2	400	128	ALL	14/16	2400-0472	Plug for keep pin
UC2	400	128	ALL	15	2400-0290	Guide bushing UC2 400-128
UC2	400	128	ALL	17	2400-0330	Pin UC2 400/500
UC2	400	128	ALL	18	2400-0342	Cap, Spring UC2 210/400
UC2	400	128	ALL	21	1192-2240	Base jaw with cap screws
UC2	400	128	ALL	22	80-0387	Socket head cap screw M12X25
UC2	400	128	3Z	26a	80-0503	Socket head cap screw M20x140
UC2	400	128	3Z	26b		Socket head cap screw M24x150
UC2	400	128	A11	26c	80-0421	Socket head cap screw M20x160
UC2	400	128	A15	26d	80-0447	Socket head cap screw M20x110
UC2	400	128	3Z	27a	80-1091	Socket head cap screw M24x120
UC2	400	128	3Z	27b	80-0447	Socket head cap screw M20x110
UC2	400	128	A11	27c		Socket head cap screw M24x130
UC2	400	128	A15	27d		Socket head cap screw M24x160
UC2	400	128	ALL	29	80-0156	Socket head cap screw M6X30
UC2	400	128	ALL	30	80-1151	Screw special UC2 400-128
UC2	400	128	ALL	31	2400-0370	Pin
UC2	400	128	ALL	34	2200-7019	Fitting grease M6X1
UC2	400	128	ALL	36		Plug
UC2	400	128	ALL	38	1142-2626	Ball steel 6.0 mm
UC2	400	128	ALL	39	1142-2615	Ball steel 7.0 mm
UC2	400	128	ALL	40		Plug, blance correction
UC2	400	128	ALL	42	2400-0446	Spring
UC2	400	128	ALL	43	2400-0456	Spring
UC2	400	128	ALL	44	2400-0466	Spring
UC2	400	128	ALL	47	2400-0386	Wrench, jaw change 400/630
UC2	400	128	ALL	48	2400-0392	Effector, cam pin 400/500
UC2	400	128	ALL	51	2400-0410	Wrench, drawtube adjusting
UC2	400	128	ALL	60	2400-0430	Wrench, retaining ring
UC2	500	155	3Z		2403-0710	UC2-500-155 3Z 380 Chuck assembly
UC2	500	155	A11		2403-0720	UC2-500-155 A-11 Chuck assembly
UC2	500	155	A15		2403-0730	UC2-500-155 A-15 Chuck assembly
UC2	500	155	ALL	1	2400-0112	Chuck body - UC2 500-155
UC2	500	155	3Z	2a	2400-1700	Backplate, UC2 500-155 3Z
UC2	500	155	A11	2b	2400-1710	Backplate, UC2 500-155 A11
UC2	500	155	A15	2c	2400-1720	Backplate, UC2 500-155 A15
UC2	500	155	ALL	3	2400-0132	Actuator UC2 500-155
UC2	500	155	ALL	4	2400-0052	Blank drawtube adapter UC2 500-155
UC2	500	155	ALL	5	2400-0312	Retaining ring drawtube adapter



ATS Systems
Ultimate Chuck UC2(B) Model Parts List

10/1/2007

Model	Size	Thru-Hole	Mount	Drawing Ref #	ATS Part #	PART DESCRIPTION
UC2	500	155	ALL	20	2400-0610	Wedge bar assembly UC2 500-155
UC2	500	155	ALL	7	2400-0152	Wedge bar UC2 500-155
UC2	500	155	ALL	8	2400-0172	Rack, wedge bar UC2 500-155
UC2	500	155	ALL	9	2400-0192	Cam, wedge bar rack UC2 500-155
UC2	500	155	ALL	10	2400-0212	Pin, jaw pre-position UC2 500-155
UC2	500	155	ALL	11	2400-0232	Cam bolt UC2 500-155
UC2	500	155	ALL	12	2400-0252	Cam pin UC2 500-155
UC2	500	155	ALL	14	2400-0270	Pin, keeper UC2 400/500 (OLD)
UC2	500	155	ALL	14/16	2400-0273	Pin, keeper UC2 500 (NEW)
UC2	500	155	ALL	14/16	2400-0472	Plug for keep pin
UC2	500	155	ALL	15	2400-0292	Guide bushing UC2 500-155
UC2	500	155	ALL	17	2400-0330	Pin UC2 400/500
UC2	500	155	ALL	18	2400-0352	Cap, Spring UC2 500-155
UC2	500	155	ALL	21	1192-2250	Base jaw wttw cap screws
UC2	500	155	ALL	22	80-0226	Socket head cap screw M16X50
UC2	500	155	3Z	26a	80-0257	Socket head cap screw M20X130
UC2	500	155	A11	26b	80-0311	Socket head cap screw M20x180
UC2	500	155	A15	26c	80-0257	Socket head cap screw M20x130
UC2	500	155	3Z	27a		Socket head cap screw M24x170
UC2	500	155	A11	27b		Socket head cap screw M24x130
UC2	500	155	A15	27c		Socket head cap screw M24x190
UC2	500	155	ALL	29	80-0815	Socket head cap screw M8X45
UC2	500	155	ALL	30	80-1151	Screw special UC2 500-155
UC2	500	155	ALL	31	2400-0372	Pin
UC2	500	155	ALL	34	2200-7019	Fitting grease M6X1
UC2	500	155	ALL	36		Plug
UC2	500	155	ALL	38	1142-2626	Ball steel 6.0 mm
UC2	500	155	ALL	39	1142-2615	Ball steel 7.0 mm
UC2	500	155	ALL	40		Plug, blance correction
UC2	500	155	ALL	42	2400-0450	Spring
UC2	500	155	ALL	43	2400-0456	Spring
UC2	500	155	ALL	44	2400-0466	Spring
UC2	500	155	ALL	47	2400-0386	Wrench, jaw change 400/630
UC2	500	155	ALL	48	2400-0392	Effector, cam pin 400/500
UC2	500	155	ALL	51	2400-0412	Wrench, drawtube adjusting
UC2	500	155	ALL	60	2400-0432	Wrench, retaining ring
UC2	630	167	3Z		2403-0810	UC2-630-167 3Z 520 Chuck assembly
UC2	630	167	A11		2403-0820	UC2-630-167 A-11 Chuck assembly
UC2	630	167	A15		2403-0830	UC2-630-167 A-15 Chuck assembly
UC2	630	167	ALL	1	2400-0114	Chuck body - UC2 630-167
UC2	630	167	3Z	2a	2400-1800	Backplate, UC2 630-167 3Z 520
UC2	630	167	A11	2b	2400-1810	Backplate, UC2 630-167 A11



ATS Systems
Ultimate Chuck UC2(B) Model Parts List

10/1/2007

Model	Size	Thru-Hole	Mount	Drawing Ref #	ATS Part #	PART DESCRIPTION
UC2	630	167	A15	2c	2400-1820	Backplate, UC2 630-167 A15
UC2	630	167	ALL	3	2400-0134	Actuator UC2 630-167
UC2	630	167	ALL	4	2400-0054	Blank drawtube adapter UC2 630-167
UC2	630	167	ALL	5	2400-0314	Retaining ring drawtube adapter
UC2	630	167	ALL	20	2400-0612	Wedge bar assembly UC2 630-167
UC2	630	167	ALL	7	2400-0154	Wedge bar UC2 630-167
UC2	630	167	ALL	8	2400-0174	Rack, wedge bar UC2 630-167
UC2	630	167	ALL	9	2400-0194	Cam, wedge bar rack UC2 630-167
UC2	630	167	ALL	10	2400-0214	Pin, jaw pre-position UC2 630-167
UC2	630	167	ALL	11	2400-0234	Cam bolt UC2 630-167
UC2	630	167	ALL	12	2400-0254	Cam pin UC2 630-167
UC2	630	167	ALL	14	2400-0274	Pin, keeper UC2 630-167 (OLD)
UC2	630	167	ALL	14/16	2400-0275	Pin, keeper UC2 630-167 (NEW)
UC2	630	167	ALL	14/16	2400-0474	Plug for keep pin
UC2	630	167	ALL	15	2400-0294	Guide bushing UC2 630-167
UC2	630	167	ALL	17	2400-0334	Pin UC2 630-167
UC2	630	167	ALL	18	2400-0352	Cap, Spring UC2 630-167
UC2	630	167	ALL	21	1192-2263	Base jaw with cap screws
UC2	630	167	ALL	22	80-0226	Socket head cap screw M16X50
UC2	630	167	3Z	26a	80-1032	Socket head cap screw M24X140
UC2	630	167	A11	26b		
UC2	630	167	A15	26c		
UC2	630	167	3Z	27a	80-1129	Socket head cap screw M24x190
UC2	630	167	A11	27b		
UC2	630	167	A15	27c		
UC2	630	167	ALL	29		Socket head cap screw M8X45
UC2	630	167	ALL	30	80-1151	Screw special UC2 630-167
UC2	630	167	ALL	31	2400-0372	Pin
UC2	630	167	ALL	34	2200-7019	Fitting grease M6X1
UC2	630	167	ALL	36		Plug
UC2	630	167	ALL	38	1142-2626	Ball steel 6.0 mm
UC2	630	167	ALL	39	1142-2615	Ball steel 7.0 mm
UC2	630	167	ALL	40		Plug, blance correction
UC2	630	167	ALL	42	2400-0450	Spring
UC2	630	167	ALL	43	2400-0456	Spring
UC2	630	167	ALL	44	2400-0466	Spring
UC2	630	167	ALL	47	2400-0386	Wrench, jaw change 400/630
UC2	630	167	ALL	48	2400-0394	Effector, cam pin 630-16
UC2	630	167	ALL	51	2400-0414	Wrench, drawtube adjusting
UC2	630	167	ALL	60	2400-0434	Wrench, retaining ring
UC2-B	210	52	3Z		2404-0210	UC2-B210-52 3Z Chuck assembly
UC2-B	210	52	A6		2404-0220	UC2-B210-52 A-6 Chuck assembly



ATS Systems
Ultimate Chuck UC2(B) Model Parts List

10/1/2007

Model	Size	Thru-Hole	Mount	Drawing Ref #	ATS Part #	PART DESCRIPTION
UC2-B	210	52	A8		2404-0230	UC2-B210-52 A-8 Chuck assembly
UC2-B	210	52	All	1	2400-0800	Chuck body - UC2 B210-52
UC2-B	210	52	3Z	2a	2400-1202	Backplate, UC2B 210-52 3Z
UC2-B	210	52	A6	2b	2400-1212	Backplate, UC2B 210-52 3A6
UC2-B	210	52	A8	2c	2400-1222	Backplate, UC2B 210-52 3A8
UC2-B	210	52	All	3	2400-0122	Actuator UC2 210-52
UC2-B	210	52	All	4	2400-0042	Blank drawtube adapter UC2 210-52
UC2-B	210	52	All	5	2400-0302	Retaining ring drawtube adapter
UC2-B	210	52	All	20	2400-0602	Wedge bar assembly UC2 210/225
UC2-B	210	52	All	7	2400-0142	Wedge bar UC2 210/225
UC2-B	210	52	All	8	2400-0162	Rack, wedge bar UC2 210/225
UC2-B	210	52	All	9	2400-0182	Cam, wedge bar rack UC2 210/225
UC2-B	210	52	All	10	2400-0202	Pin, jaw pre-position UC2 210/225
UC2-B	210	52	All	11	2400-0222	Cam bolt UC2 210/225
UC2-B	210	52	All	12	2400-0242	Cam pin UC2 210/225
UC2-B	210	52	All	14	2400-0262	Pin, keeper UC2 210/225 (OLD)
UC2-B	210	52	All	14	2400-0263	Pin, keeper UC2 210/225 (NEW)
UC2-B	210	52	All	16	n/a	Not Required
UC2-B	210	52	All	15	2400-0850	Guide bushing UC2 B210-52
UC2-B	210	52	All	17	2400-0322	Pin UC2 210/315
UC2-B	210	52	All	18	2400-0342	Cap, Spring UC2 210/400
UC2-B	210	52	All	21	2200-0014	Base jaw with cap screws
UC2-B	210	52	All	22		Socket head cap screw 1/2-13
UC2-B	210	52	3Z	26a	80-0656	Socket head cap screw M16X80
UC2-B	210	52	A6	26b	80-0656	Socket head cap screw M16X80
UC2-B	210	52	A8	26c	80-0305	Socket head cap screw M16X120
UC2-B	210	52	3Z	27a	80-1011	Socket head cap screw M12X105
UC2-B	210	52	A6	27b	80-0252	Socket head cap screw M12X120
UC2-B	210	52	A8	27c	80-0657	Socket head cap screw M12X80
UC2-B	210	52	All	29	80-0685	Socket head cap screw M5X25
UC2-B	210	52	All	30	80-0956	Screw special UC2 210-52
UC2-B	210	52	All	31	2400-0362	Pin
UC2-B	210	52	All	34	2200-7019	Fitting grease M6X1
UC2-B	210	52	All	36		Plug
UC2-B	210	52	All	38	1142-2626	Ball steel 6.0 mm
UC2-B	210	52	All	39	1142-2615	Ball steel 7.0 mm
UC2-B	210	52	All	40		Plug, blance correction
UC2-B	210	52	All	42	2400-0442	Spring
UC2-B	210	52	All	43	2400-0456	Spring
UC2-B	210	52	All	44	2400-0462	Spring
UC2-B	210	52	All	47	2400-0386	Wrench, jaw change 170/315
UC2-B	210	52	All	48	2400-0390	Effector, cam pin 170/315



ATS Systems
Ultimate Chuck UC2(B) Model Parts List

10/1/2007

Model	Size	Thru-Hole	Mount	Drawing Ref #	ATS Part #	PART DESCRIPTION
UC2-B	210	52	All	51	2400-0402	Wrench, drawtube adjusting
UC2-B	210	52	All	55	-	Not Required
UC2-B	210	52	All	60	2400-0422	Wrench, retaining ring
UC2-B	225	68	3Z		2404-0310	UC2-B225-68 3Z Chuck assembly
UC2-B	225	68	A6		2404-0320	UC2-B225-68 A-6 Chuck assembly
UC2-B	225	68	A8		2404-0330	UC2-B225-68 A-8 Chuck assembly
UC2-B	225	68	All	1	2400-0802	Chuck body - UC2 B225-68
UC2-B	225	68	3Z	2a	2400-1302	Backplate, UC2B 225-68 3Z
UC2-B	225	68	A6	2b	2400-1312	Backplate, UC2B 225-68 3A6
UC2-B	225	68	A8	2c	2400-1322	Backplate, UCB2 225-68 3A8
UC2-B	225	68	All	3	2400-0124	Actuator UC2 225-68
UC2-B	225	68	All	4	2400-0044	Blank drawtube adapter UC2 210-52
UC2-B	225	68	All	5	2400-0304	Retaining ring drawtube adapter
UC2-B	225	68	All	20	2400-0602	Wedge bar assembly UC2 210/225
UC2-B	225	68	All	7	2400-0142	Wedge bar UC2 210/225
UC2-B	225	68	All	8	2400-0162	Rack, wedge bar UC2 210/225
UC2-B	225	68	All	9	2400-0182	Cam, wedge bar rack UC2 210/225
UC2-B	225	68	All	10	2400-0202	Pin, jaw pre-position UC2 210/225
UC2-B	225	68	All	11	2400-0222	Cam bolt UC2 210/225
UC2-B	225	68	All	12	2400-0242	Cam pin UC2 210/225
UC2-B	225	68	All	14	2400-0262	Pin, keeper UC2 210/225 (OLD)
UC2-B	225	68	All	14	2400-0263	Pin, keeper UC2 210/225 (NEW)
UC2-B	225	68	All	16		n/a
UC2-B	225	68	All	15	2400-0852	Guide bushing UC2 B225-68
UC2-B	225	68	All	17	2400-0322	Pin UC2 210/315
UC2-B	225	68	All	18	2400-0342	Cap, Spring UC2 210/400
UC2-B	225	68	All	21	2200-0014	Base jaw with screws
UC2-B	225	68	All	22		Socket head cap screw 1/2-13
UC2-B	225	68	3Z	26a	80-0656	Socket head cap screw M16X80
UC2-B	225	68	A6	26b	80-0656	Socket head cap screw M16X80
UC2-B	225	68	A8	26c	80-0305	Socket head cap screw M16X120
UC2-B	225	68	3Z	27a	80-1011	Socket head cap screw M12X105
UC2-B	225	68	A6	27b	80-0252	Socket head cap screw M12X120
UC2-B	225	68	A8	27c	80-0657	Socket head cap screw M12X80
UC2-B	225	68	All	29	80-0685	Socket head cap screw M5X25
UC2-B	225	68	All	30	80-0956	Screw special UC2 210-52
UC2-B	225	68	All	31	2400-0362	Pin
UC2-B	225	68	All	34	2200-7019	Fitting grease M6X1
UC2-B	225	68	All	36		Plug
UC2-B	225	68	All	38	1142-2626	Ball steel 6.0 mm
UC2-B	225	68	All	39	1142-2615	Ball steel 7.0 mm
UC2-B	225	68	All	40		Plug, blance correction



ATS Systems
Ultimate Chuck UC2(B) Model Parts List

10/1/2007

Model	Size	Thru-Hole	Mount	Drawing Ref #	ATS Part #	PART DESCRIPTION
UC2-B	225	68	All	42	2400-0442	Spring
UC2-B	225	68	All	43	2400-0456	Spring
UC2-B	225	68	All	44	2400-0462	Spring
UC2-B	225	68	All	47	2400-0386	Wrench, jaw change 170/315
UC2-B	225	68	All	48	2400-0390	Effector, cam pin 170/315
UC2-B	225	68	All	51	2400-0404	Wrench, drawtube adjusting
UC2-B	225	68	All	55	-	Not Required
UC2-B	225	68	All	60	2400-0424	Wrench, retaining ring
UC2-B	265	77	3Z		2404-0410	UC2-B265-77 3Z Chuck assembly
UC2-B	265	77	A6		2404-0420	UC2-B265-77 A-6 Chuck assembly
UC2-B	265	77	A8		2404-0430	UC2-B265-77 A-8 Chuck assembly
UC2-B	265	77	All	1	2400-0804	Chuck body - UC2 B265-77
UC2-B	265	77	3Z	2a	2400-1402	Backplate, UC2B 265-77 3Z
UC2-B	265	77	A6	2b	2400-1412	Backplate, UC2B 265-77 3A6
UC2-B	265	77	A8	2c	2400-1422	Backplate, UC2B 265-77 3A8
UC2-B	265	77	All	3	2400-0126	Actuator UC2 265-77
UC2-B	265	77	All	4	2400-0046	Blank drawtube adapter UC2 265-77
UC2-B	265	77	All	5	2400-0306	Retaining ring drawtube adapter
UC2-B	265	77	All	20	2400-0604	Wedge bar assembly UC2 265-77
UC2-B	265	77	All	7	2400-0146	Wedge bar UC2 265-77
UC2-B	265	77	All	8	2400-0166	Rack, wedge bar UC2 265-77
UC2-B	265	77	All	9	2400-0186	Cam, wedge bar rack UC2 265-77
UC2-B	265	77	All	10	2400-0206	Pin, jaw pre-position UC2 265-77
UC2-B	265	77	All	11	2400-0226	Cam bolt UC2 265-77
UC2-B	265	77	All	12	2400-0246	Cam pin UC2 265-77
UC2-B	265	77	All	14	2400-0266	Pin, keeper UC2 265-77 (OLD)
UC2-B	265	77	All	14/16	2400-0267	Pin, keeper UC2 265-77 (NEW)
UC2-B	265	77	All	14/16	2400-0472	Plug for keep pin
UC2-B	265	77	All	15	2400-0854	Guide bushing UC2 265-77
UC2-B	265	77	All	17	2400-0322	Pin UC2 210/315
UC2-B	265	77	All	18	2400-0342	Cap, Spring UC2 210/400
UC2-B	265	77	All	21	2200-0015	Base jaw with cap screws
UC2-B	265	77	All	22		Socket head cap screw 5/8-11
UC2-B	265	3Z	All	26a	80-0885	Socket head cap screw M16X90
UC2-B	265	A6	All	26b	80-0885	Socket head cap screw M16X90
UC2-B	265	A8	All	26c	80-0883	Socket head cap screw M16X140
UC2-B	265	3Z	All	27a		Socket head cap screw M12X135
UC2-B	265	A6	All	27b	80-1038	Socket head cap screw M12X140
UC2-B	265	A8	All	27c	80-0428	Socket head cap screw M12X90
UC2-B	265	77	All	29		Socket head cap screw M5X30
UC2-B	265	77	All	30	80-0956	Screw special UC2 265-77
UC2-B	265	77	All	31	2400-0366	Pin



ATS Systems
Ultimate Chuck UC2(B) Model Parts List

10/1/2007

Model	Size	Thru-Hole	Mount	Drawing Ref #	ATS Part #	PART DESCRIPTION
UC2-B	265	77	All	34	2200-7019	Fitting grease M6X1
UC2-B	265	77	All	36		Plug
UC2-B	265	77	All	38	1142-2626	Ball steel 6.0 mm
UC2-B	265	77	All	39	1142-2615	Ball steel 7.0 mm
UC2-B	265	77	All	40		Plug, blance correction
UC2-B	265	77	All	42	2400-0442	Spring
UC2-B	265	77	All	43	2400-0456	Spring
UC2-B	265	77	All	44	2400-0462	Spring
UC2-B	265	77	All	47	2400-0386	Wrench, jaw change 170/315
UC2-B	265	77	All	48	2400-0390	Effector, cam pin 170/315
UC2-B	265	77	All	51	2400-0406	Wrench, drawtube adjusting
UC2-B	265	77	All	55	-	Not Required
UC2-B	265	77	All	60	2400-0426	Wrench, retaining ring
UC2-B	315	91	3Z		2404-0510	UC2-B315-91 3Z Chuck assembly
UC2-B	315	91	A8		2404-0520	UC2-B315-91 A-8 Chuck assembly
UC2-B	315	91	A11		2404-0530	UC2-B315-91 A-11 Chuck assembly
UC2-B	315	91	All	1	2400-0806	Chuck body - UC2 B315-91
UC2-B	315	91	3Z	2a	2400-1502	Backplate, UC2B 315-91 3Z
UC2-B	315	91	A8	2b	2400-1512	Backplate, UC2B 315-91 3A8
UC2-B	315	91	A11	2c	2400-1522	Backplate, UC2B 315-91 3A11
UC2-B	315	91	All	3	2400-0128	Actuator UC2 315-91
UC2-B	315	91	All	4	2400-0048	Blank drawtube adapter UC2 315-91
UC2-B	315	91	All	5	2400-0308	Retaining ring drawtube adapter
UC2-B	315	91	All	20	2400-0606	Wedge bar assembly UC2 315-91
UC2-B	315	91	All	7	2400-0148	Wedge bar UC2 315-91
UC2-B	315	91	All	8	2400-0168	Rack, wedge bar UC2 315-91
UC2-B	315	91	All	9	2400-0188	Cam, wedge bar rack UC2 315-91
UC2-B	315	91	All	10	2400-0208	Pin, jaw pre-position UC2 315-91
UC2-B	315	91	All	11	2400-0228	Cam bolt UC2 315-91
UC2-B	315	91	All	12	2400-0246	Cam pin UC2 265/315
UC2-B	315	91	All	14	2400-0266	Pin, keeper UC2 265/315 (OLD)
UC2-B	315	91	All	14/16	2400-0269	Pin, keeper UC2 315 (NEW)
UC2-B	315	91	All	14/16	2400-0472	Plug for keep pin
UC2-B	315	91	All	15	2400-0856	Guide bushing UC2 B315-104
UC2-B	315	91	All	17	2400-0322	Pin UC2 210/315
UC2-B	315	91	All	18	2400-0342	Cap, Spring UC2 210/400
UC2-B	315	91	All	21	2200-0016	Base jaw w/Cap screws
UC2-B	315	91	All	22		Socket head cap screw 5/8-11
UC2-B	315	91	3Z	26a		Socket head cap screw M20x105
UC2-B	315	91	A8	26b		Socket head cap screw M20x105
UC2-B	315	91	A11	26c	80-0615	Socket head cap screw M20X150
UC2-B	315	91	3Z	27a	80-0508	Socket head cap screw M16X135



ATS Systems
Ultimate Chuck UC2(B) Model Parts List

10/1/2007

Model	Size	Thru-Hole	Mount	Drawing Ref #	ATS Part #	PART DESCRIPTION
UC2-B	315	91	A8	27b	80-0621	Socket head cap screw M16x155
UC2-B	315	91	A11	27c		Socket head cap screw M16X105
UC2-B	315	91	All	29	80-0156	Socket head cap screw M6X30
UC2-B	315	91	All	30	80-0956	Screw special UC2 315-91
UC2-B	315	91	All	31	2400-0366	Pin
UC2-B	315	91	All	34	2200-7019	Fitting grease M6X1
UC2-B	315	91	All	36		Plug
UC2-B	315	91	All	38	1142-2626	Ball steel 6.0 mm
UC2-B	315	91	All	39	1142-2615	Ball steel 7.0 mm
UC2-B	315	91	All	40		Plug, blance correction
UC2-B	315	91	All	42	2400-0446	Spring
UC2-B	315	91	All	43	2400-0456	Spring
UC2-B	315	91	All	44	2400-0462	Spring
UC2-B	315	91	All	47	2400-0386	Wrench, jaw change 170/315
UC2-B	315	91	All	48	2400-0390	Effector, cam pin 170/315
UC2-B	315	91	All	51	2400-0408	Wrench, drawtube adjusting
UC2-B	315	91	All	55	2400-0820	O-Ring UC2B 315 Size 140x2
UC2-B	315	91	All	60	2400-0428	Wrench, retaining ring
UC2-B	315	104	3Z		2404-0512	UC2-B315-104 3Z Chuck assembly
UC2-B	315	104	A8		2404-0522	UC2-B315-104 A-8 Chuck assembly
UC2-B	315	104	A11		2404-0532	UC2-B315-104 A-11 Chuck assembly
UC2-B	315	104	All	1	2400-0807	Chuck body - UC2 B315-104
UC2-B	315	104	3Z	2a	2400-1506	Backplate, UC2B 315-104 3Z/220
UC2-B	315	104	A8	2b	2400-1516	Backplate, UC2B 315-104 3A8
UC2-B	315	104	A11	2c	2400-1532	Backplate, UC2B 315-104 3A11
UC2-B	315	104	All	3	2400-0129	Actuator UC2B 315-104
UC2-B	315	104	All	4	2400-0049	Blank drawtube adapter UC2 315-104
UC2-B	315	104	All	5	2400-0309	Retaining ring drawtube adapter
UC2-B	315	104	All	20	2400-0606	Wedge bar assembly UC2 315-91&104
UC2-B	315	104	All	7	2400-0148	Wedge bar UC2 315-91&104
UC2-B	315	104	All	8	2400-0168	Rack, wedge bar UC2 315-91&104
UC2-B	315	104	All	9	2400-0188	Cam, wedge bar rack UC2 315-91&104
UC2-B	315	104	All	10	2400-0208	Pin, jaw pre-position UC2 315-91&104
UC2-B	315	104	All	11	2400-0229	Cam bolt UC2 315-104
UC2-B	315	104	All	12	2400-0246	Cam pin UC2 265/315
UC2-B	315	104	All	14	2400-0266	Pin, keeper UC2 265/315 (OLD)
UC2-B	315	104	All	14/16	2400-0269	Pin, keeper UC2 315 (NEW)
UC2-B	315	104	All	14/16	2400-0472	Plug for keep pin
UC2-B	315	104	All	15	2400-0857	Guide bushing UC2 B315-104
UC2-B	315	104	All	17	2400-0322	Pin UC2 210/315
UC2-B	315	104	All	18	2400-0342	Cap, Spring UC2 210/400
UC2-B	315	104	All	21	2200-0016	Base jaw w/Cap screws



ATS Systems
Ultimate Chuck UC2(B) Model Parts List

10/1/2007

Model	Size	Thru-Hole	Mount	Drawing Ref #	ATS Part #	PART DESCRIPTION
UC2-B	315	104	All	22		Socket head cap screw 5/8-11
UC2-B	315	104	3Z	26a		Socket head cap screw M20x105
UC2-B	315	104	A8	26b		Socket head cap screw M20x105
UC2-B	315	104	A11	26c	80-0615	Socket head cap screw M20X150
UC2-B	315	104	3Z	27a	80-0508	Socket head cap screw M16X135
UC2-B	315	104	A8	27b	80-0621	Socket head cap screw M16x155
UC2-B	315	104	A11	27c		Socket head cap screw M16X105
UC2-B	315	104	All	29	80-0156	Socket head cap screw M6X30
UC2-B	315	104	All	30	80-0956	Screw special UC2 315-91
UC2-B	315	104	All	31	2400-0366	Pin
UC2-B	315	104	All	34	2200-7019	Fitting grease M6X1
UC2-B	315	104	All	36		Plug
UC2-B	315	104	All	38	1142-2626	Ball steel 6.0 mm
UC2-B	315	104	All	39	1142-2615	Ball steel 7.0 mm
UC2-B	315	104	All	40		Plug, blance correction
UC2-B	315	104	All	42	2400-0446	Spring
UC2-B	315	104	All	43	2400-0456	Spring
UC2-B	315	104	All	44	2400-0462	Spring
UC2-B	315	104	All	47	2400-0386	Wrench, jaw change 170/315
UC2-B	315	104	All	48	2400-0390	Effector, cam pin 170/315
UC2-B	315	104	All	51	2400-0409	Wrench, drawtube adjusting
UC2-B	315	104	All	55	2400-0820	O-Ring UC2B 315 Size 140x2
UC2-B	315	104	All	60	2400-0429	Wrench, retaining ring
UC2-B	400	128	3Z		2404-0610	UC2B-400-128 3Z-300 Chuck assembly
UC2-B	400	128	3Z		2404-0615	UC2B-400-128 3Z-380 Chuck assembly
UC2-B	400	128	A11		2404-0620	UC2B-400-128 A-11 Chuck assembly
UC2-B	400	128	A15		2404-0630	UC2B-400-128 A-15 Chuck assembly
UC2-B	400	128	All	1	2400-0808	Chuck body - UC2 B400-128
UC2-B	400	128	3Z	2a	2400-1602	Backplate, UC2B 400-128 3Z-300
UC2-B	400	128	3Z	2b	2400-1612	Backplate, UC2B 400-128 3Z-380
UC2-B	400	128	A11	2c	2400-1622	Backplate, UC2B 400-128 3A11
UC2-B	400	128	A15	2d	2400-1630	Backplate, UC2 400-128 3A15
UC2-B	400	128	All	3	2400-0130	Actuator UC2 400-128
UC2-B	400	128	All	4	2400-0050	Blank drawtube adapter UC2 400-128
UC2-B	400	128	All	5	2400-0310	Retaining ring drawtube adapter
UC2-B	400	128	All	20	2400-0608	Wedge bar assembly UC2 400-128
UC2-B	400	128	All	7	2400-0150	Wedge bar UC2 400-128
UC2-B	400	128	All	8	2400-0170	Rack, wedge bar UC2 400-128
UC2-B	400	128	All	9	2400-0190	Cam, wedge bar rack UC2 400-128
UC2-B	400	128	All	10	2400-0210	Pin, jaw pre-position UC2 400-128
UC2-B	400	128	All	11	2400-0230	Cam bolt UC2 400-128
UC2-B	400	128	All	12	2400-0250	Cam pin UC2 400-128



ATS Systems
Ultimate Chuck UC2(B) Model Parts List

10/1/2007

Model	Size	Thru-Hole	Mount	Drawing Ref #	ATS Part #	PART DESCRIPTION
UC2-B	400	128	All	14	2400-0270	Pin, keeper UC2 400/500 (OLD)
UC2-B	400	128	All	14/16	2400-0271	Pin, keeper UC2 400 (NEW)
UC2-B	400	128	All	14/16	2400-0472	Plug for keep pin
UC2-B	400	128	All	15	2400-0858	Guide bushing UC2 B400-128
UC2-B	400	128	All	17	2400-0330	Pin UC2 400/500
UC2-B	400	128	All	18	2400-0342	Cap, set screw UC2 210/400
UC2-B	400	128	All	21	2200-0017	Base jaw with cap screws
UC2-B	400	128	All	22		Socket head cap screw 3/4-10
UC2-B	400	128	3Z	26a	80-0503	Socket head cap screw M20x140
UC2-B	400	128	3Z	26b		Socket head cap screw M24x150
UC2-B	400	128	A11	26c	80-0421	Socket head cap screw M20x160
UC2-B	400	128	A15	26d	80-0447	Socket head cap screw M20x110
UC2-B	400	128	3Z	27a	80-1091	Socket head cap screw M24x120
UC2-B	400	128	3Z	27b	80-0447	Socket head cap screw M20x110
UC2-B	400	128	A11	27c		Socket head cap screw M24x130
UC2-B	400	128	A15	27d		Socket head cap screw M24x160
UC2-B	400	128	All	29	80-0156	Socket head cap screw M6X30
UC2-B	400	128	All	30	80-1151	Screw special UC2 400-128
UC2-B	400	128	All	31	2400-0370	Pin
UC2-B	400	128	All	34	2200-7019	Fitting grease M6X1
UC2-B	400	128	All	36		Plug
UC2-B	400	128	All	38	1142-2626	Ball steel 6.0 mm
UC2-B	400	128	All	39	1142-2615	Ball steel 7.0 mm
UC2-B	400	128	All	40		Plug, blance correction
UC2-B	400	128	All	42	2400-0446	Spring
UC2-B	400	128	All	43	2400-0456	Spring
UC2-B	400	128	All	44	2400-0466	Spring
UC2-B	400	128	All	47	2400-0386	Wrench, jaw change 400/630
UC2-B	400	128	All	48	2400-0392	Effector, cam pin 400/500
UC2-B	400	128	All	51	2400-0410	Wrench, drawtube adjusting
UC2-B	400	128	All	55	2400-0822	O-Ring UC2B 400 Size 175x2.5
UC2-B	400	128	All	60	2400-0430	Wrench, retaining ring
UC2-B	500	155	3Z		2404-0710	UC2-B500-155 3Z 380 Chuck assembly
UC2-B	500	155	A11		2404-0720	UC2-B500-155 A-11 Chuck assembly
UC2-B	500	155	A15		2404-0730	UC2-B500-155 A-15 Chuck assembly
UC2-B	500	155	All	1	2400-0810	Chuck body - UC2 B500-155
UC2-B	500	155	3Z	2a	2400-1702	Backplate, UC2B 500-155 3Z
UC2-B	500	155	A11	2b	2400-1712	Backplate, UC2B 500-155 A11
UC2-B	500	155	A15	2c	2400-1722	Backplate, UC2B 500-155 A15
UC2-B	500	155	All	3	2400-0132	Actuator UC2 500-155
UC2-B	500	155	All	4	2400-0052	Blank drawtube adapter UC2 500-155
UC2-B	500	155	All	5	2400-0312	Retaining ring drawtube adapter



ATS Systems
Ultimate Chuck UC2(B) Model Parts List

10/1/2007

Model	Size	Thru-Hole	Mount	Drawing Ref #	ATS Part #	PART DESCRIPTION
UC2-B	500	155	All	20	2400-0610	Wedge bar assembly UC2 500-155
UC2-B	500	155	All	7	2400-0152	Wedge bar UC2 500-155
UC2-B	500	155	All	8	2400-0172	Rack, wedge bar UC2 500-155
UC2-B	500	155	All	9	2400-0192	Cam, wedge bar rack UC2 500-155
UC2-B	500	155	All	10	2400-0212	Pin, jaw pre-position UC2 500-155
UC2-B	500	155	All	11	2400-0232	Cam bolt UC2 500-155
UC2-B	500	155	All	12	2400-0252	Cam pin UC2 500-155
UC2-B	500	155	All	14	2400-0270	Pin, keeper UC2 400/500 (OLDER SEE NOTE)
UC2-B	500	155	All	14/16	2400-0273	Pin, keeper UC2 500
UC2-B	500	155	All	14/16	2400-0472	Plug for keep pin
UC2-B	500	155	All	15	2400-0860	Guide bushing UC2 B500-155
UC2-B	500	155	All	17	2400-0330	Pin UC2 400/500
UC2-B	500	155	All	18	2400-0352	Cap, set screw UC2 500-155
UC2-B	500	155	All	21	2200-0018	Base jaw with cap screws
UC2-B	500	155	All	22		Socket head cap screw 3/4-10
UC2-B	500	155	3Z	26a	80-0257	Socket head cap screw M20X130
UC2-B	500	155	A11	26b	80-0311	Socket head cap screw M20x180
UC2-B	500	155	A15	26c	80-0257	Socket head cap screw M20x130
UC2-B	500	155	3Z	27a		Socket head cap screw M24x170
UC2-B	500	155	A11	27b		Socket head cap screw M24x130
UC2-B	500	155	A15	27c		Socket head cap screw M24x190
UC2-B	500	155	All	29	80-0815	Socket head cap screw M8X45
UC2-B	500	155	All	30	80-1151	Screw special UC2 500-155
UC2-B	500	155	All	31	2400-0372	Pin
UC2-B	500	155	All	34	2200-7019	Fitting grease M6X1
UC2-B	500	155	All	36		Plug
UC2-B	500	155	All	38	1142-2626	Ball steel 6.0 mm
UC2-B	500	155	All	39	1142-2615	Ball steel 7.0 mm
UC2-B	500	155	All	40		Plug, blance correction
UC2-B	500	155	All	42	2400-0450	Spring
UC2-B	500	155	All	43	2400-0456	Spring
UC2-B	500	155	All	44	2400-0466	Spring
UC2-B	500	155	All	47	2400-0386	Wrench, jaw change 400/630
UC2-B	500	155	All	48	2400-0392	Effector, cam pin 400/500
UC2-B	500	155	All	51	2400-0412	Wrench, drawtube adjusting
UC2-B	500	155	All	55	2400-0824	O-Ring UC2B-500 Size 202x2.5
UC2-B	500	155	All	60	2400-0432	Wrench, retaining ring
UC2-B	630	167	3Z		2404-0810	UC2-B630-167 3Z 520 Chuck assembly
UC2-B	630	167	A11		2404-0820	UC2-B630-167 A-11 Chuck assembly
UC2-B	630	167	A15		2404-0830	UC2-B630-167 A-15 Chuck assembly
UC2-B	630	167	All	1	2400-0812	Chuck body - UC2 B630-167
UC2-B	630	167	3Z	2a	2400-1802	Backplate, UC2B 630-167 3Z 520



ATS Systems
Ultimate Chuck UC2(B) Model Parts List

10/1/2007

Model	Size	Thru-Hole	Mount	Drawing Ref #	ATS Part #	PART DESCRIPTION
UC2-B	630	167	A11	2b	2400-1812	Backplate, UC2B 630-167 A11
UC2-B	630	167	A15	2c	2400-1822	Backplate, UC2B 630-167 A15
UC2-B	630	167	All	3	2400-0134	Actuator UC2 630-167
UC2-B	630	167	All	4	2400-0054	Blank drawtube adapter UC2 630-167
UC2-B	630	167	All	5	2400-0314	Retaining ring drawtube adapter
UC2-B	630	167	All	20	2400-0612	Wedge bar assembly UC2 630-167
UC2-B	630	167	All	7	2400-0154	Wedge bar UC2 630-167
UC2-B	630	167	All	8	2400-0174	Rack, wedge bar UC2 630-167
UC2-B	630	167	All	9	2400-0194	Cam, wedge bar rack UC2 630-167
UC2-B	630	167	All	10	2400-0214	Pin, jaw pre-position UC2 630-167
UC2-B	630	167	All	11	2400-0234	Cam bolt UC2 630-167
UC2-B	630	167	All	12	2400-0254	Cam pin UC2 630-167
UC2-B	630	167	All	14	2400-0274	Pin, keeper UC2 630-167 (OLD)
UC2-B	630	167	All	14/16	2400-0275	Pin, keeper UC2 630-167 (NEW)
UC2-B	630	167	All	14/16	2400-0474	Plug for keep pin
UC2-B	630	167	All	15	2400-0862	Guide bushing UC2 B630-167
UC2-B	630	167	All	17	2400-0334	Pin UC2 630-167
UC2-B	630	167	All	18	2400-0352	Cap, set screw UC2 630-167
UC2-B	630	167	All	21	1192-4463	Base jaw with cap screws
UC2-B	630	167	All	22		Socket head cap screw 3/4-10
UC2-B	630	167	All	3Z	80-1032	Socket head cap screw M24X140
UC2-B	630	167	All	A11		
UC2-B	630	167	All	A15		
UC2-B	630	167	All	3Z	80-1129	Socket head cap screw M24x190
UC2-B	630	167	All	A11		
UC2-B	630	167	All	A15		
UC2-B	630	167	All	29		Socket head cap screw M8X45
UC2-B	630	167	All	30	80-1151	Screw special UC2 630-167
UC2-B	630	167	All	31	2400-0372	Pin
UC2-B	630	167	All	34	2200-7019	Fitting grease M6X1
UC2-B	630	167	All	36		Plug
UC2-B	630	167	All	38	1142-2626	Ball steel 6.0 mm
UC2-B	630	167	All	39	1142-2615	Ball steel 7.0 mm
UC2-B	630	167	All	40		Plug, blance correction
UC2-B	630	167	All	42	2400-0450	Spring
UC2-B	630	167	All	43	2400-0456	Spring
UC2-B	630	167	All	44	2400-0466	Spring
UC2-B	630	167	All	47	2400-0386	Wrench, jaw change 400/630
UC2-B	630	167	All	48	2400-0394	Effector, cam pin 630-16
UC2-B	630	167	All	51	2400-0414	Wrench, drawtube adjusting
UC2-B	630	167	All	55	2400-0826	O-Ring UC2B Size 230x2.5
UC2-B	630	167	All	60	2400-0434	Wrench, retaining ring